

# High-Flow VANGUARD General Purpose Filters

# BF6A400 Models Port Sizes: 1-1/4, 1-1/2, & 2



Model Shown: BF6A400-10

## SPECIFICATIONS

### Ambient/Media Temperature:

**Manual Drain:** 40° to 175°F (4° to 79°C).

**Float, hydro-jector drain:** 40° to 150°F (4° to 66°C).

**Body:** Aluminum.

**Bowl:** 120-Ounce (3548-ml) capacity aluminum bowl.

**Bowl Drain:** Internal float drain; optional manual drain or external Hydro-Jector drain.

**Filter Element:** 40- $\mu$ m-rated sintered bronze; optional 5- $\mu$ m sintered bronze.

**Fluid Media:** Compressed air.

### Inlet Pressure:

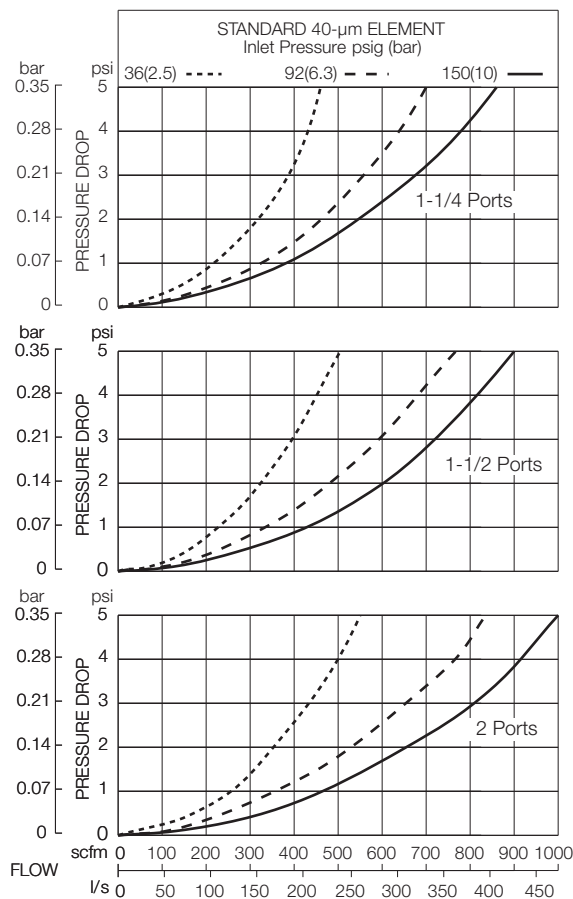
**Float Drain:** 30 psig (2.1 bar) minimum. 200 psig (14 bar) maximum.

**Manual Drain:** 0 psig (0 bar) minimum. 300 psig (21 bar) maximum.

**Seals:** Nitrile.

- ◆ Inline mounting.
- ◆ 40- $\mu$ m-rated sintered bronze filter element; optional 5- $\mu$ m sintered bronze element.
- ◆ Aluminum bowl.
- ◆ Internal float drain; optional manual drain or external Hydro-Jector drain.
- ◆ **NPTF** port threads; optional **SAE** or **BSPP** threads.

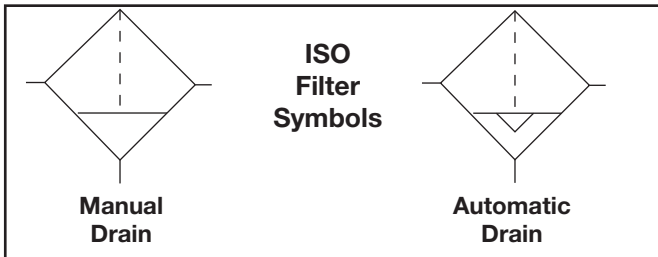
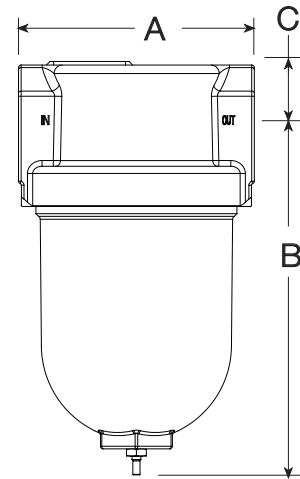
## FLOW CHARTS



**DIMENSIONS** inches (mm)

A	B †	C	Depth	Weight † lb (kg)
8.1 (204.7)	12.0 (305)	2.4 (60.3)	8.0 (203.2)	17 (7.72)

† With Hydro-Jector external drain, dimension B is increased by 8.0 inches (203 mm), and weight is increased by 2.56 pounds (1.18 kg).



**REPLACEMENT FILTER ELEMENT KITS**

Element Type	Kit Number
40-µm bronze (Std element)	K106-33
5-µm bronze	K106-33E5

**ORDERING INFORMATION**

Change the letters in the sample model number below to specify the filter you want.

**B F6A 40 0 L - 10 E5 W**

**DRAIN TYPE**

- Internal automatic float drain (*brass stem*) ...F6A
- Manual Drain ..... F
- External Hydro-Jector drain ..... F7AE
- No drain (*less drain cock*) ..... F7A

**HEAD TYPE (Part 1 of 2)**

- No tapped ports for differential pressure ..... 0 Gauge.
- Tapped ports for differential pressure gauge..1

**DIFFERENTIAL PRESSURE GAUGE (Part 2 of 2)**

*Must be ordered with tapped ports in HEAD TYPE option.*

- No gauge ..... Leave Blank
- Large differential pressure gauge ... L
- Small differential pressure gauge ... S
- Large differential pressure gauge ... E with normally open reed switch.
- Large differential pressure gauge ... E2 with normally closed reed switch.

**PORT TYPE**

- NPTF ..... Leave Blank
- BSPP ..... W

**PORT SIZE**

- 5 micron bronze element ..... E5
- 40 micron bronze element ..... E3

**PORT SIZE**

- 1-1/4 NPTF ..... 10
- 1-1/2 NPTF ..... 12
- 2 NPTF ..... 16
- 1-5/8-12 UNF SAE ..... S20
- 1-7/8-12 UNF SAE ..... S24
- 1-1/2-12UNF SAE ..... S32

**DIFFERENTIAL PRESSURE GAUGES**



Small Slide Gauge  
K103-151



Large Dual Face Gauge  
106-35



Large Dual Face Gauge  
with Reed Switch  
106-35E (Normally Open)  
106-35EC (Normally Closed)

**VANGUARD High-Flow Filter, BF6A400 Series**