

Series RT55 and RT56

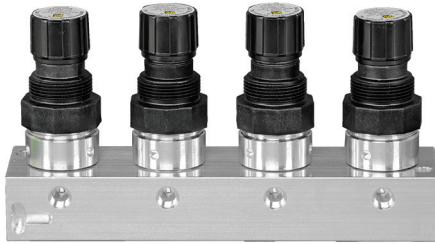
Miniature manifold mount and manifold regulator.

RT55, RT56, R*T55, R*T56 Models

Port Sizes: 1/4



Model Shown: RT56M-4

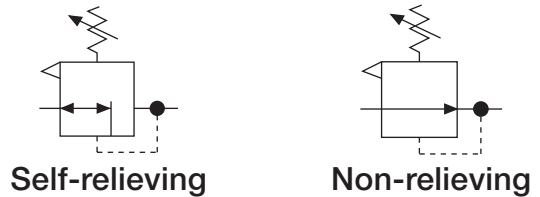


Model Shown: R4T56M-2

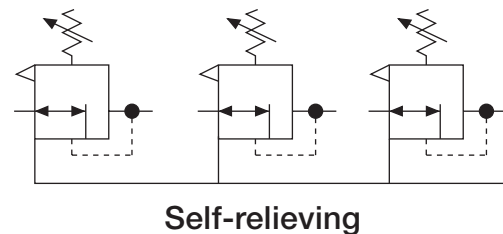
FEATURES:

- ◆ Manifold assemblies are available in 1, 2, 3 or 4 port regulator assemblies. They can be assembled together for longer in-line regulator assemblies.
- ◆ Piston-type design (**RT55M** models) or diaphragm-type (**RT56M** models).
- ◆ Self relieving design: Non-relieving optional.
- ◆ **NPTF** port threads: optional **BSPP** threads on manifold **R*T55M** and **R*T56M** models.

ISO SYMBOLS - Individual regulator



ISO SYMBOLS - Manifold regulator



SPECIFICATIONS

Ambient/Media Temperature:

40° to 125°F (4° to 52°C).

Body: Aluminum.

Dome and Knob: Glass Filled Nylon and Acetal.

Fluid Media: Compressed air and inert gas.

Inlet Pressure: 300 psig (21 bar) maximum.

Outlet Pressure: Adjustable up to 100 psig (7 bar);
Optional adjusting springs.

Panel Mounting: 1-3/16 inch (30 mm) hole required.

Seals: Nitril, Optional Viton.

MANIFOLD KITS:



Screw assembly kit: A33-707



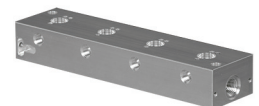
An assembled
R1T56M-2 and **R2T56M-2**



1 Port manifold:
33-700-1-222



2 Port manifold:
33-700-2-222



4 Port manifold:
33-700-4-222

ORDERING INFORMATION FOR INDIVIDUAL TOP MOUNTED MANIFOLD REGULATOR

Change the letters in the sample model number below to specify the **individual** mounted regulator you want.

RT5 5 M- 4 A P

REGULATOR TYPE:

Piston 5
Diaphragm 6

PORT SIZE:

1/2-UNF (Top mounted threads) 4

OPTIONS 2:

None: Leave Blank
Plastic mounting nut P
Hex mounting nut PE

OPTIONS 1: (More than one can be chosen. Add in alphabetical order).

None..... Leave Blank
Relieving Leave Blank
Non-relieving A
Small valve seat C
Metal valve seat C2
Metal dome D
Viton seals and O-rings V

SPRINGS:

0-8 PSIG (0.6 BAR)..... L8
0-15 PSIG (0-1 BAR) L15
0-30 PSIG (0-2.1 BAR) L30
0-50 PSIG (0-3 BAR) L
0-100 PSIG (0-7 BAR) Leave Blank
0-125 PSIG (0-8.6 BAR) H

ORDERING INFORMATION FOR MANIFOLD MOUNTED REGULATOR

Change the letters in the sample model number below to specify the **manifold** mounted regulator(s).

R 4 T5 5 M- 2 A P W

MANIFOLD REGULATOR(S):

1 RT* regulator attached to 1 port manifold 1
2 RT* regulator attached to 2 port manifold 2
3 RT* reg attached to 1&2 port manifold 3
4 RT* regulator attached to 4 port manifold 4

REGULATOR TYPE:

Piston 5
Diaphragm 6

PORT SIZE:

1/4-NPTF 2

THREAD TYPE:

NPTF Leave Blank
BSPP W

OPTIONS 2:

None: Leave Blank
Metal mounting nut PN
Hex mounting nut PE

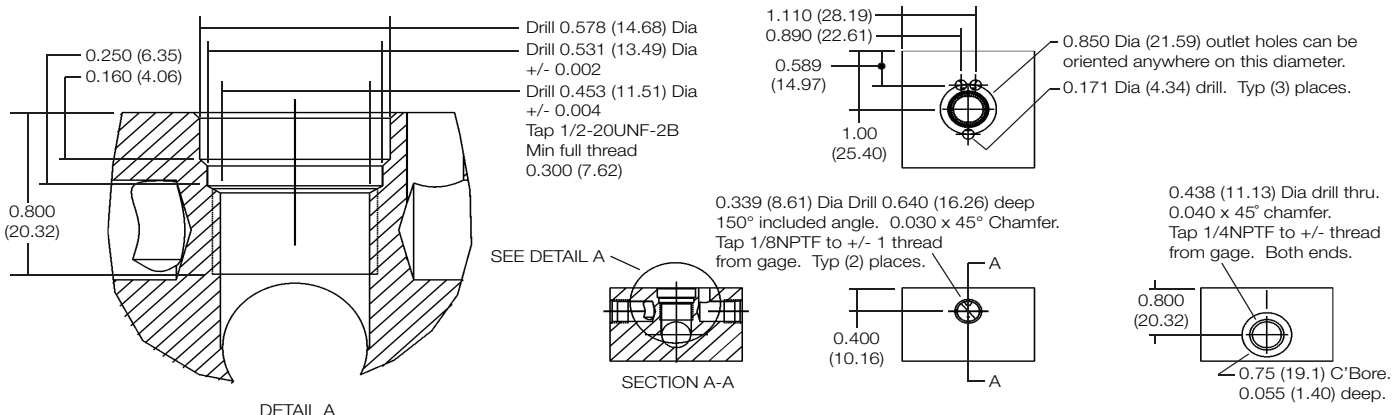
OPTIONS 1: (More than one can be chosen. Add in alphabetical order).

None..... Leave Blank
Relieving Leave Blank
Non-relieving A
Small valve seat C
Metal valve seat C2
Metal dome D
Viton seals and O-rings V

SPRINGS:

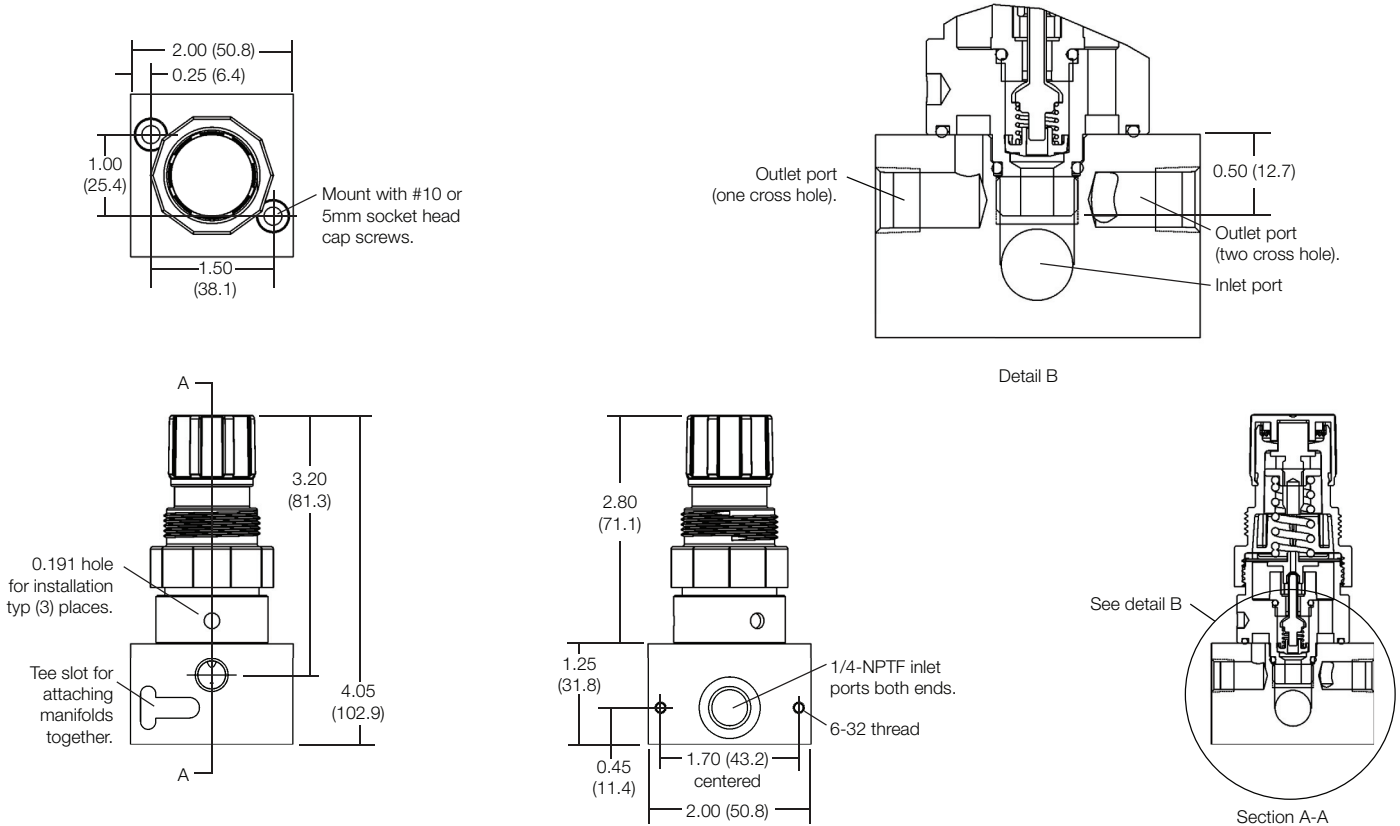
0-8 PSIG (0.6 BAR)..... L8
0-15 PSIG (0-1 BAR) L15
0-30 PSIG (0-2.1 BAR) L30
0-50 PSIG (0-3 BAR) L
0-100 PSIG (0-7 BAR) Leave Blank
0-125 PSIG (0-8.6 BAR) H

DIMENSIONS FOR MANIFOLD MOUNT REGULATOR INTERFACE:



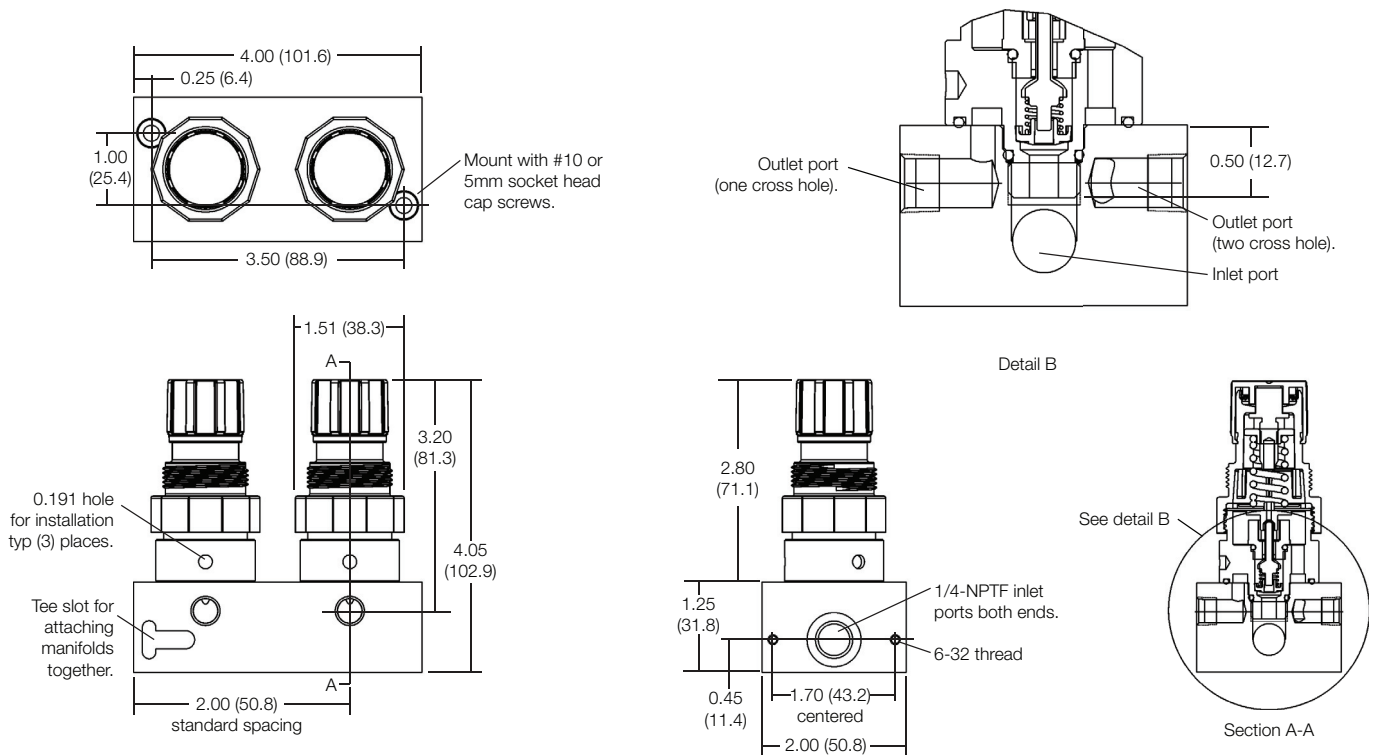
DIMENSIONS FOR R1T55M / R1T56M

Manifold regulator: inches (mm).



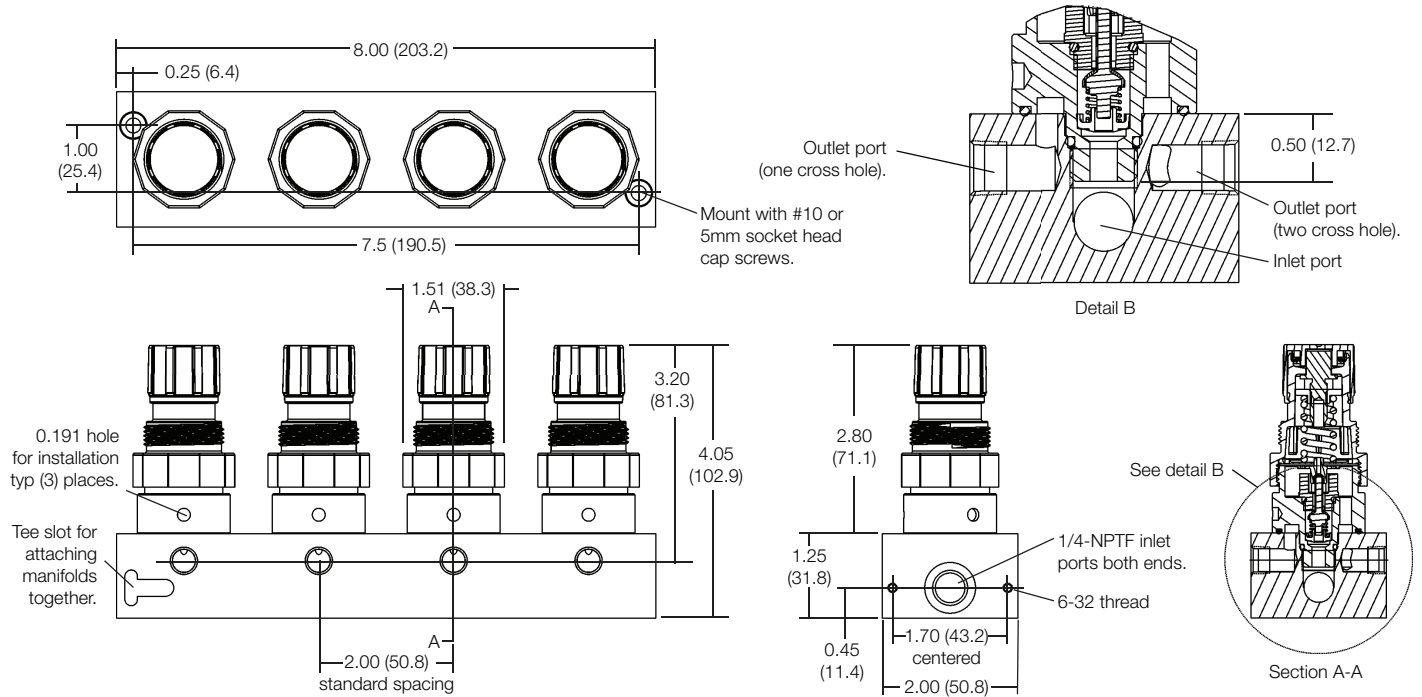
DIMENSIONS FOR R2T55M / R2T56M

Manifold regulator: inches (mm).



DIMENSIONS FOR R4T55M / R4T56M

Manifold regulator: inches (mm).



FLOW GRAPHS

