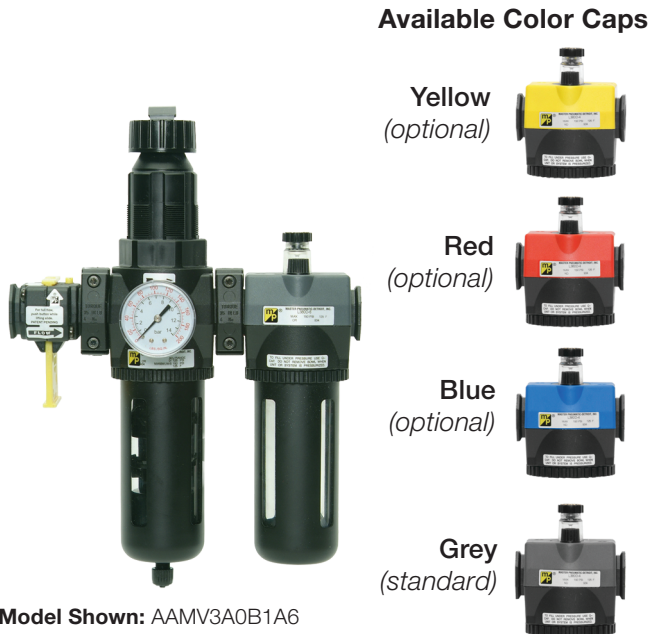


Full-Size SERIES 380 FRLs Integral Filter/Regulators plus Lubricator

AAMV3A0B1A1 Models Port Sizes: 3/8, 1/2, 3/4



Model Shown: AAMV3A0B1A6

SPECIFICATIONS

Ambient/Media Temperature:

Metal bowls: 40° to 175°F (4° to 79°C).

Plastic bowls: 40° to 125°F (4° to 52°C).

Bowls: 9-Ounce (270-ml) capacity aluminum bowls with clear nylon sight glass or polycarbonate plastic bowls with steel shatterguard. Optional 15-ounce (450-ml) extended aluminum lubricator bowl with two clear nylon sight glasses.

Cap Colors: Filter/regulator, black only. Lubricator, accent grey; yellow, red, and blue optional.

Filter Drain: Internal automatic drain; optional manual drain, internal float drain, or Warrior electronic drain.

Filter Element: 5-µm-rated polyethylene; optional 40-µm element.

Fluid Media: Compressed air.

Heads: Zinc.

Inlet Pressure:

Minimum: 15 psig (1 bar) with automatic drain, 30 psig (2 bar) with internal float drain.

Metal bowls: 200 psig (13.7 bar) maximum.

Plastic bowls: 150 psig (10 bar) maximum.

Oil Adjustment: External; tamper-resistant.

Outlet Pressure: Adjustable up to 125 psig (8.6 bar).

Pressure Adjustment Locking Key: Removable.

Pressure Gauge: 0 to 200 psig (14 bar); 1/4 NPT gauge ports front and rear.

Regulator Valve: Brass.

Seals: Nitrile.

Sight Dome: Clear nylon.

- ◆ Filter and regulator consolidated in a single assembly (**CFDR380**); sight-feed lubricator (**L380D**); lockout valve (**V380**).
- ◆ Modular or inline mounting.
- ◆ 5-µm-rated polyethylene filter element; optional 40-µm element.
- ◆ Aluminum bowls with clear nylon sight glass or polycarbonate plastic bowls with steel shatterguard.
- ◆ Internal automatic filter drain; optional manual drain, internal float drain, or Warrior electronic drain.
- ◆ Optional extended aluminum lubricator bowl with sight glasses.
- ◆ Self-relieving diaphragm-type regulator; non-relieving optional.
- ◆ Pressure gauge; two gauge ports.
- ◆ NPTF port threads; optional **BSPP** threads.

AIR FLOW DATA

See Flow Charts for individual assembly components on preceding pages.

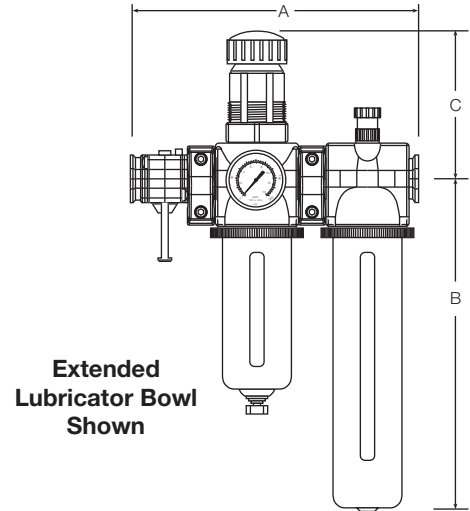
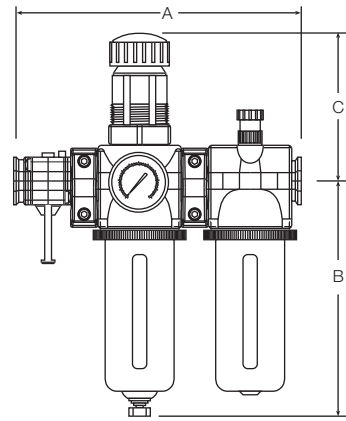
DIMENSIONS inches (mm)

Bowl	Dimensions				Weight †
	A *	B **	C	Depth †	lb (kg)
Standard	9.6 (244)	7.7 (195)	5.4 (137)	2.9 (73)	5.81 (2.64)
Extended	9.5 (241)	10.6 (269)	5.4 (137)	2.9 (73)	6.00 (2.73)

* Without V380 lockout valve deduct 2.3 (58) from dimension A.

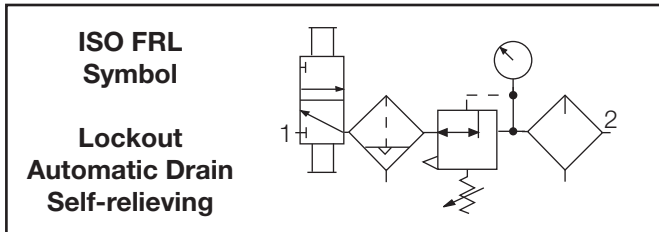
** Bowl removal clearance: For 9-ounce plastic bowl add 4.2 (107).
For 9-ounce metal bowl add 4.1 (104).
For extended bowl add 6.1 (155).

† Less gauge.



REPLACEMENT FILTER ELEMENT KITS

Element Type	Kit Number
5-µm (Std element)	A115-106PE5
40-µm bronze	A115-106PE3



ORDERING INFORMATION

Change the letters in the sample model number below to specify the F/R + L you want.
To order with some of the other available options, see Ordering Information on page 296.

A A M V 3 A 0 B 1 A 1 3

LUBRICATOR CAP COLOR

Accent Grey (Std) A
MP Yellow..... B
Red C
Mid Blue..... D

BOWL TYPE

Two 9-ounce plastic A
Two 9-ounce metal..... B
9-Ounce metal on F/R and
15-ounce on lubricator ... D

LOCKOUT VALVE

None Leave Blank
V380 Valve V

FILTER/REGULATOR MODEL

CFR380 (0-125 psig and 3
5-µm element)
CFR380-E3 (0-125 psig and ... 4
40-µm element)
CFR380-H (0-175 psig and 6 *
5-µm element)
CFR380-L (0-50 psig and 8
5-µm element)

* H option spring
includes metal
dome

PORT SIZE

3/8 NPTF..... 3
1/2 NPTF..... 4
3/4 NPTF..... 6
3/8 BSPP C
1/2 BSPP D
3/4 BSPP E

GAUGES

None 0
200-BDD (0-200 psig) 1
60BDD (0-60 psig) 2

MOUNTING OPTIONS

No end ports A
Mounting brackets only J
Female ports and
mounting brackets..... K

FILTER DRAIN

Manual 0
Internal automatic..... 1
Warrior electronic..... 2
Internal float drain 6

LUBRICATOR

L380D B
L380D-Q (with quick-fill cap)..... C

Full-Size FRL's 380, AAMV3A0B1A13 Series