

High-Flow VANGUARD Lubricators

BL237D Models Port Sizes: 3/4 to 1-1/2



Model Shown: BL237D-12

- ◆ Inline mounting.
- ◆ Aluminum bowl with sight glass. Optional extended bowl.
- ◆ Sight-feed design.
- ◆ External adjusting knob; removable for tamper resistance.
- ◆ Optional low level switch is available
- ◆ **NPTF** port threads; optional **BSPP** threads.

SPECIFICATIONS

Ambient/Media Temperature:

40° to 175°F (4° to 79°C).

Body: Aluminum.

Bowl: 35-Ounce (1030-ml) capacity aluminum bowl with sight glass. Optional 62-ounce (1830-ml) extended aluminum bowl with two sight glasses.

Bowl Ring: Aluminum.

Fluid Media: Compressed air.

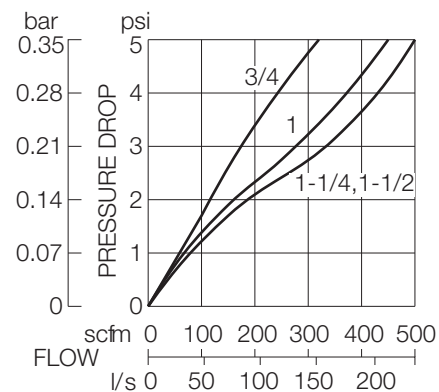
Inlet Pressure: 200 psig (14 bar) maximum.

Oil Adjustment: External, tamper-resistant.

Seals: Nitrile.

FLOW CHART

Inlet Pressure: 100 psig (7 bar)



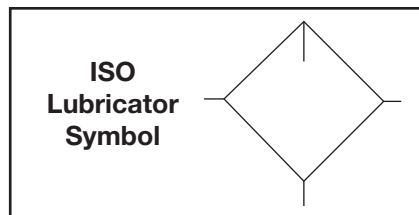
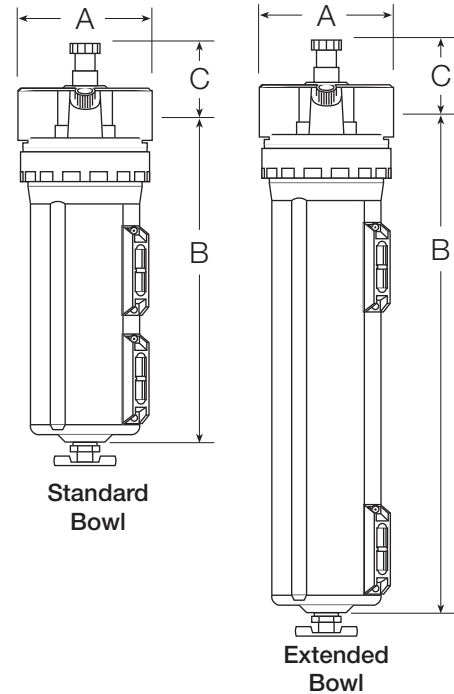
Minimum Flow: 35-Ounce bowl, 10 scfm (4.7 l/s)
62-Ounce bowl, 14 scfm (6.6 l/s)

DIMENSIONS inches (mm)

Port	A	B	C	Depth	Weight
					lb (kg)
3/4	4.3	10.2	2.0	4.2	2.56
1	(108)	(259)	(51)	(106)	(1.16)
1-1/4	4.3	10.6	1.6	4.2	2.56
1-1/2	(108)	(268)	(41)	(106)	(1.16)

The following have extended bowls:

3/4	4.3	15.8	2.0	4.2	3.38
1	(108)	(400)	(51)	(106)	(1.64)
1-1/4	4.3	16.1	1.6	4.2	3.38
1-1/2	(108)	(410)	(41)	(106)	(1.64)



ORDERING INFORMATION

Change the letters in the sample model number below to specify the lubricator you want.

BL237D - 6 Y W

BOWL SIZE

Standard 35-ounce BL237D
 Extended 62-ounce.....BL237DH

PORT SIZE

3/4 NPTF..... 6
 1 NPTF 8
 1-1/4 NPTF 10
 1-1/2 NPTF 12

PORT TYPE

NPTF threads Leave Blank
 BSPP threads W

OPTIONS

None Leave Blank
 Quick-fill Q-cap..... Q
 Low level switch S