

# HIGH-FLOW VANGUARD Clean Air Package

# BDFCD100-E8 Models Port Sizes: 3/4, 1



**Model Shown:** BDFCD100-8E8

These assemblies consist of two filters: a general purpose filter, and a coalescing filter. The general purpose filter removes gross contaminants, while the coalescing filter removes oil mists, aerosols, and minute particles.

## SPECIFICATIONS

### Ambient/Media Temperature:

Manual & auto drains: 40° to 175°F (4° to 79°C).

Float drains: 40° to 150°F (4° to 66°C).

**Body:** Aluminum.

**Bowls:** 16-Ounce (480-ml) capacity aluminum. Clear nylon sight glass on general purpose and coalescing filters. Bowls are rotatable for easy readability.

**Bowl Ring:** Aluminum.

### Filter Bowl Drains:

Internal automatic drains for general purpose and coalescing filters.

**Filter Elements:** General purpose: 5- $\mu$ m-rated polyethylene; optional 5- $\mu$ m sintered bronze. Coalescing: 0.3- $\mu$ m-rated borosilicate glass fiber; optional 0.01- $\mu$ m-rated element.

**Fluid Media:** Compressed air.

### Inlet Pressure:

Minimum: 15 psig (1 bar).

Maximum: 200 psig (14 bar).

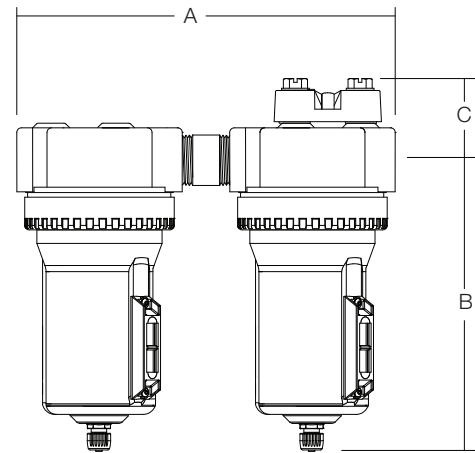
- ◆ Inline mounting.
- ◆ 5- $\mu$ m-rated polyethylene general purpose filter element.
- ◆ 0.3- $\mu$ m-rated coalescing filter element; optional 0.01- $\mu$ m element.
- ◆ Metal bowls. Clear nylon sight glass on general purpose and coalescing filters. Bowls rotatable for easy readability.
- ◆ Internal automatic filter drain for general purpose and coalescing filters.
- ◆ Differential pressure gauge on coalescing filter to indicate when filter element needs changing.
- ◆ NPTF port threads; optional BSPP threads.

## AIR FLOW and CONSTRUCTION DATA

See Flow Charts and Specifications for individual assembly components on preceding pages.

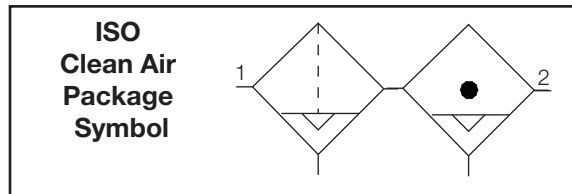
## DIMENSIONS inches (mm)

A	B	C	Depth	Weight lb (kg)
10 (255)	7.8 (199)	2.3 (58)	4.2 (106)	5.00 (2.27)



## REPLACEMENT FILTER ELEMENT KITS

Element	Model Usage	Kit Number
5- $\mu$ m Plastic (Std)	General purpose filter	KA109-3PE
5- $\mu$ m Bronze	General purpose filter	KA109-03E5
0.3- $\mu$ m (Std)	Coalescing filter	A109-106
0.01- $\mu$ m	Coalescing filter	A109-106E8



## ORDERING INFORMATION

If product number exceeds 15 characters consult factory for new number:

**B FD FCD 100 S - 6 E5 E8 W**

**FILTER BOWL DRAIN**

- Internal automatic drain..... FD
- Manual drain ..... F
- Internal float drain (*brass stem*) .... F6A

**COALESCING FILTER BOWL DRAIN**

- Internal automatic drain..... FCD
- Manual drain ..... FC
- Internal float drain (*brass stem*) .... FC6A

**DIFFERENTIAL PRESSURE GAUGE**

- No gauge ..... Leave Blank
- (Add **NG** option after **COALESCING FILTER ELEMENT TYPE**.)
- Large differential pressure gauge ... Leave Blank
- Small differential pressure gauge ... S
- Large differential pressure gauge ... E
- with normally open reed switch.
- Large differential pressure gauge ... E2
- with normally closed reed switch.

**PORT TYPE**

- NPTF ..... Leave Blank
- BSPP ..... W

**COALESCING ELEMENT TYPE**

- 0.3- $\mu$ m element ..... Leave Blank
- 0.01- $\mu$ m element ..... E8

**FILTER ELEMENT TYPE**

- 5 micron bronze ..... E5
- element.
- 5 micron polyethylene .. Leave Blank
- element.

**PORT SIZE**

- 3/4 NPTF ..... 6
- 1 NPTF ..... 8

## DIFFERENTIAL PRESSURE GAUGES



Small Slide Gauge  
K103-151



Large Dual Face Gauge  
106-35



Large Dual Face Gauge  
with Reed Switch  
106-35E (Normally Open)  
106-35EC (Normally Closed)