

Full-Size SERIES 380 Modular Coalescing Filters

FCD380 Models Port Sizes: 3/8, 1/2, 3/4

Available Color Caps



Yellow
(optional)



Red
(optional)



Blue
(optional)



Grey
(standard)



Model Shown: FCD380S-4

SPECIFICATIONS

Ambient/Media Temperature:

Plastic Bowl, all drain types: 40° to 125°F (4° to 52°C).
Metal Bowl, manual & auto drains: 40° to 175°F (4° to 79°C).
Metal Bowl, float drains: 40° to 150°F (4° to 66°C).

Body: Die-cast zinc.

Bowl: 9-Ounce (270-ml) capacity polycarbonate plastic with steel shatterguard; optional aluminum bowl with clear nylon sight glass. Optional 15-ounce (450-ml) extended aluminum bowl with a clear nylon sight glass and higher flow filter element.

Bowl Drain: Internal automatic drain; optional manual drain, internal float drain, or Warrior electronic drain.

Bowl Ring: Nylon.

Cap Color: Grey. Yellow, red, and blue optional.

Differential Pressure Gauge: Small K103-151.

Filter Element: 0.3- μ m-rated borosilicate-glass-fiber; optional 0.01- μ m-rated element (reduces flow by 20%).

Fluid Media: Compressed air.

Inlet Pressure:

Minimum: 15 psig (1 bar) with automatic drain, 30 psig (2 bar) with internal float drain.

Plastic bowl: 150 psig (10 bar).

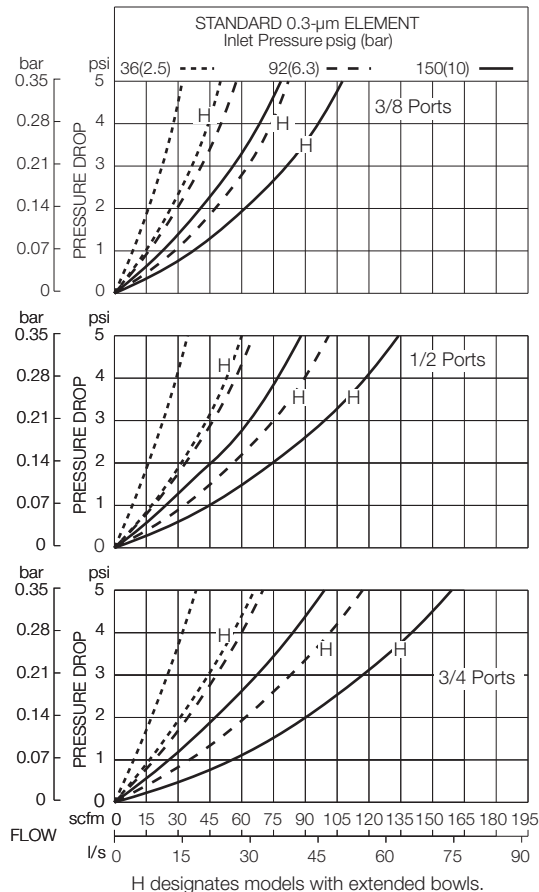
Metal bowl: 200 psig (14 bar).

Seals: Nitrile.

- ◆ Modular or inline mounting.
- ◆ 0.3- μ m-rated coalescing filter element; optional 0.01- μ m-rated element.
- ◆ Polycarbonate plastic bowl with steel shatter-guard; optional metal bowl with sight glass.
- ◆ Optional extended metal bowl with higher capacity filter element included.
- ◆ Differential pressure gauge to indicate when filter element needs changing.
- ◆ Internal automatic bowl drain; optional manual drain, internal float drain, or Warrior electronic drain.
- ◆ NPTF port threads; optional BSPP threads.

APPLICATION NOTE: A general purpose filter must be installed ahead of a coalescing filter to ensure good performance and to extend the life of the coalescing element.

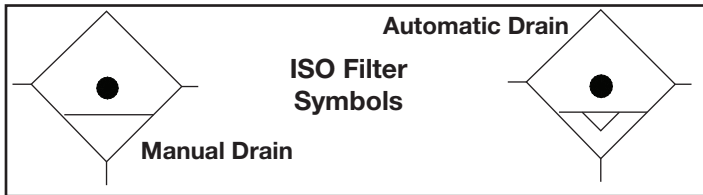
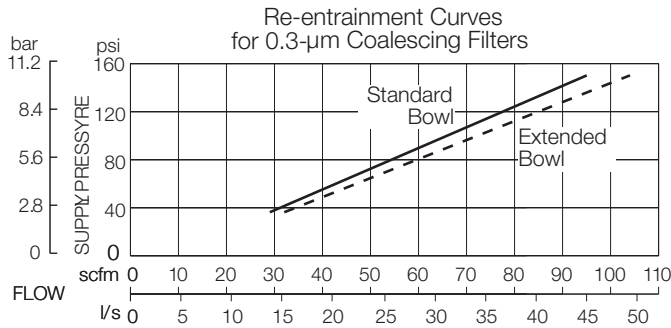
FLOW CHARTS



DIMENSIONS inches (mm)

Bowl	A	B †	C	Depth	Weight lb (kg)
Polycarbonate	3.5 (88)	7.7 (195)	2.2 (55)	2.9 (73)	2.13 (0.97)
9-Ounce Metal	3.5 (88)	7.6 (193)	2.2 (55)	3.1 (79)	2.13 (0.97)
Extended Metal	3.5 (88)	11.2 (284)	2.2 (55)	3.1 (79)	2.31 (1.05)

† Bowl removal clearance: add 3.1 (79) for 9-ounce bowl; 6.1 (155) for extended bowl.



ORDERING INFORMATION

Change the letters in the sample model number below to specify the filter you want.

BFCD 380S - 3 Y W

BOWL AND DRAIN TYPE (Metal bowls

contain a sight glass)

Plastic bowl, internal automatic drain	FCD
Metal bowl, internal automatic drain	BFCD
Plastic bowl, manual drain	FC
Metal bowl, manual drain	BFC
Plastic bowl, internal float drain (plastic stem) ...	FC5A
Metal bowl, internal float drain (brass stem)	BFC6A
Metal bowl, warrior electronic drain	BFC2A

BOWL SIZE and DIFFERENTIAL PRESSURE GAUGE

Standard Bowls - 9 ounce:

Tapped ports on head, no gauge	380
Tapped ports on head, small gauge	380S
Tapped ports on head, large gauge	380L
Tapped ports on head, large gauge	380E
with normally OPEN reed switch.	
Tapped ports on head, large gauge	380E2
with normally CLOSED reed switch.	

Extended Bowls - 15 ounce high flow:

(Only available with metal bowl option. Also use 'B' options under **BOWL AND DRAIN TYPE** section.)

Tapped ports on head, no gauge	380H
Tapped ports on head, small gauge	380HS
Tapped ports on head, large gauge	380HL
Tapped ports on head, large gauge	380HE
with normally OPEN reed switch.	
Tapped ports on head, large gauge	380HE2
with normally CLOSED reed switch.	

PORT TYPE

NPTF threads	Leave blank
BSPP threads	W

OPTIONS (More than one option can be chosen.

Add in alphabetical order.)

None	Leave Blank
------------	-------------

Cap color:

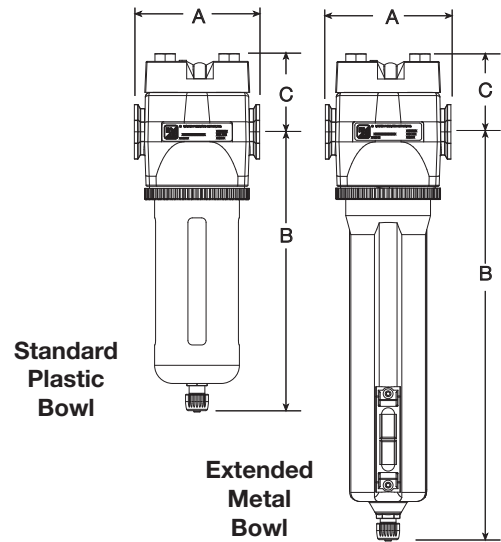
Grey	Leave Blank
MP yellow	C1
Red	C2
Mid blue	C3

Filter element:

0.3-µm rating	Leave Blank
0.01-µm rating	E8
No bowl drain	LDC
(1/4 NPT female port instead. Also use 'BFC' option under BOWL AND DRAIN TYPE section.)	

PORT SIZE

3/8 NPTF	3
1/2 NPTF	4
3/4 NPTF	6



REPLACEMENT FILTER ELEMENT KITS

Element Type	Kit Number
0.3 µm Standard bowl	A115-117
0.3 µm Extended bowl	A115-118
0.01 µm Standard bowl	A115-117E8
0.01 µm Extended bowl	A115-118E8