

Full-Size SERIES 380 FRLs Filter-Regulator-Lubricators

AAMV1A1B1A1 Models Port Sizes: 3/8, 1/2, 3/4



Model Shown: AAMV1A1B1J16

Available Color Caps



Yellow
(optional)

Red
(optional)

Blue
(optional)

Grey
(standard)

- ◆ Individual filter (FD380); regulator (R380); lubricator (L380D); lockout valve (V380).
- ◆ Modular or inline mounting.
- ◆ 5- μ m-rated polyethylene filter element; optional 40- μ m element.
- ◆ Aluminum bowls with clear nylon sight glass **or** polycarbonate plastic bowls with steel shatterguard.
- ◆ Internal automatic filter drain; optional manual drain, internal float drain, or Warrior electronic drain.
- ◆ Optional extended aluminum lubricator bowl with sight glasses.
- ◆ Self-relieving diaphragm-type regulator; non-relieving optional.
- ◆ Pressure gauge; two gauge ports.
- ◆ NPTF port threads; optional BSPP threads.

SPECIFICATIONS

Ambient/Media Temperature: (without lockout valve)
Plastic Bowl, all drain types: 40° to 125°F (4° to 52°C).
Metal Bowl, manual & automatic drains: 40° to 175°F (4° to 79°C).
Metal Bowl, float drains: 40° to 150°F (4° to 66°C).

Bowls: 9-Ounce (270-ml) capacity aluminum bowls with clear nylon sight glass or polycarbonate plastic bowls with steel shatterguard. Optional 15-ounce (450-ml) extended aluminum lubricator bowl with two clear nylon sight glasses.

Bowl Rings: Nylon.

Cap Color: Grey. Yellow, red, and blue optional.

Filter Drain: Internal automatic drain; optional manual drain, internal float drain, or Warrior electronic drain.

Filter Element: 5- μ m-rated polyethylene; optional 40- μ m element.

Fluid Media: Compressed air.

Heads: Zinc.

Inlet Pressure:

Minimum: 15 psig (1 bar) with automatic drain, 30 psig (2 bar) with internal float drain.

Metal bowls: 200 psig (13.7 bar) maximum.

Plastic bowls: 150 psig (10 bar) maximum.

Oil Adjustment: External; tamper-resistant.

Outlet Pressure: Adjustable up to 125 psig (8.6 bar).

Pressure Adjustment Locking Key: Removable.

Pressure Gauge: 0 to 200 psig (14 bar); 1/4 NPT gauge ports front and rear.

Seals: Nitrile.

Sight Dome: Clear nylon.

AIR FLOW DATA

See Flow Charts for individual assembly components on preceding pages.

DIMENSIONS inches (mm)

Bowls	A *	B **	C	Depth †	Weight †
					lb (kg)
9-Oz Plastic	13.4 (340)	7.7 (195)	2.2 (56)	2.9 (73)	6.94 (3.15)
9-Oz Metal	13.4 (340)	7.6 (193)	2.2 (56)	3.1 (79)	6.94 (3.15)
Ext Metal	13.4 (340)	10.6 (269)	2.2 (56)	3.1 (79)	7.13 (3.24)

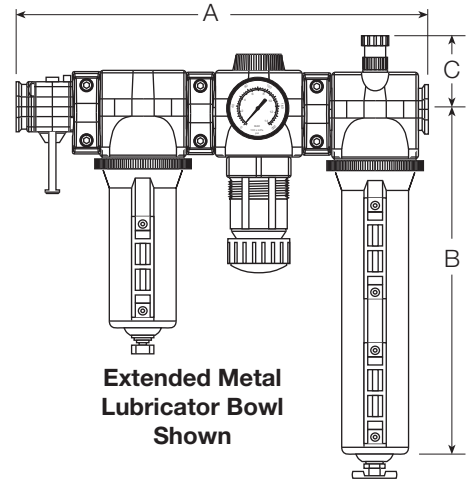
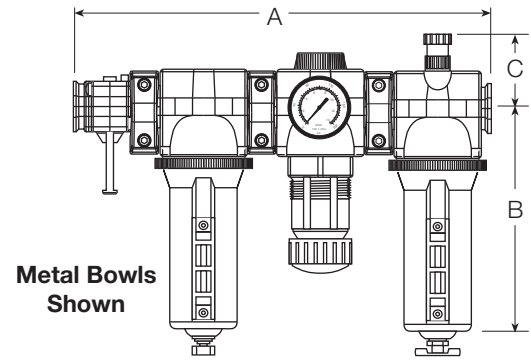
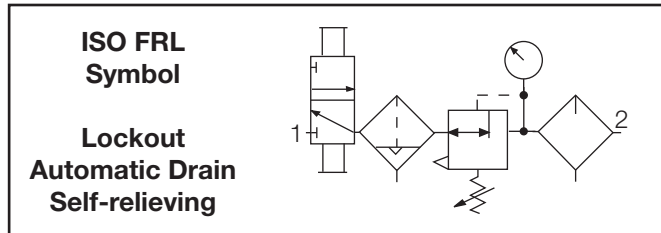
* Without V380 lockout valve deduct 2.5 (64) from dimension A.

** Bowl removal clearance: For 9-ounce bowls add 3.4 (86).
For extended bowl add 6.1 (155).

† Less gauge.

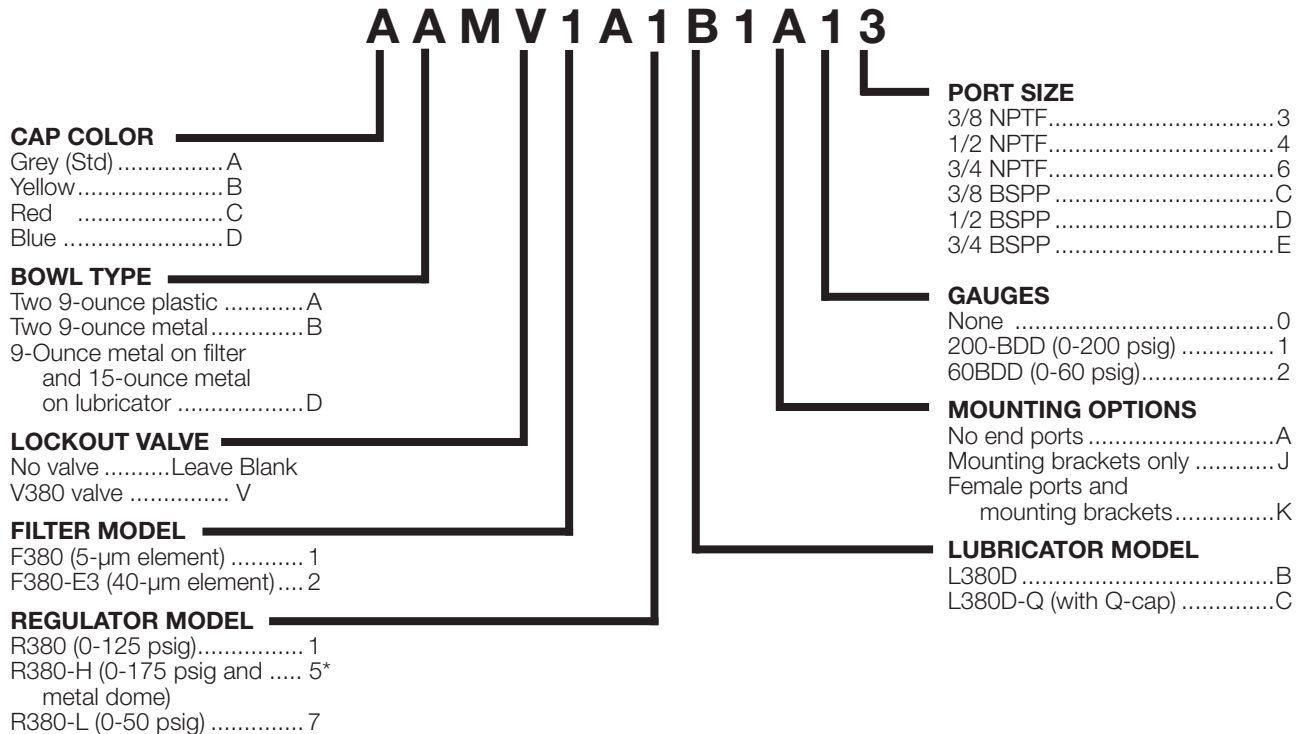
REPLACEMENT FILTER ELEMENT KITS

Element Type	Kit Number
5-µm (Std element)	A115-106PE5
40-µm bronze	A115-106PE3



ORDERING INFORMATION

Show below is a basic series 380 ordering chart. If non standard options is needed then use the complete numbering chart shown on the next couple of pages, (pgs 274-277)



* H option spring includes metal dome.