

Full-Size VANGUARD Modular External Relief Piloted Regulator

PRH100 Models Port Sizes: 1/4, 3/8, 1/2, 3/4



Model Shown: PRH100-6G

SPECIFICATIONS

Ambient/Media Temperature:

40° to 175°F (4° to 79°C).

Body: Zinc.

Dome: Zinc.

Fluid Media: Compressed air.

Inlet Pressure: 300 psig (21 bar) maximum.

Outlet Pressure: Adjustable 0 – 200 psig (0 – 14 bar).

Pilot Ports: 1/4 NPTF

Pressure Gauge: 0 to 200 psig (14 bar); 1/4 NPT gauge ports front and rear.

Seals: Nitrile; optional Viton seals.

Valve: Brass.

Valve Cap: Nylon.

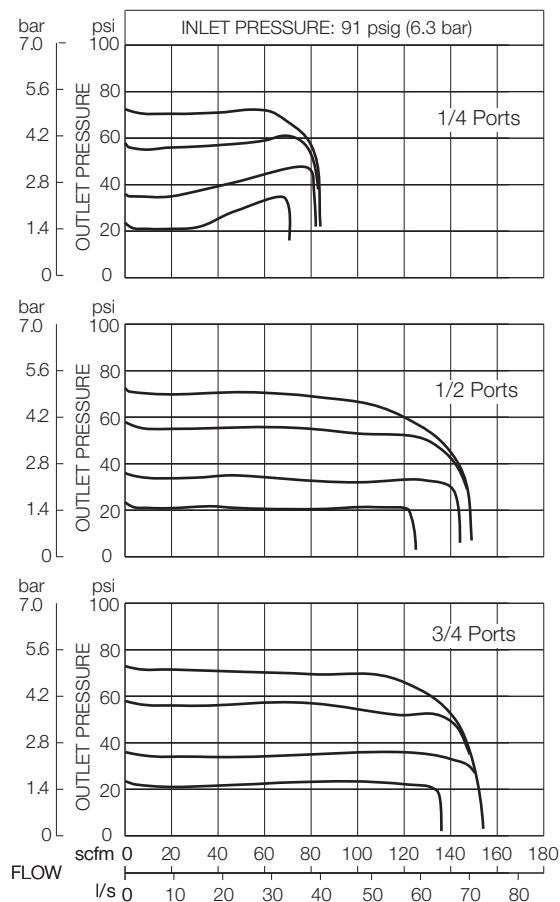
External relief piloted regulators separate control air from exhaust air.

- ◆ Modular or inline mounting.
- ◆ Diaphragm-type design.
- ◆ Self-relieving.
- ◆ Pressure gauge.
- ◆ NPTF port threads; optional BSPP threads.

Note: Pilot (control) regulators (order separately).

- ◆ General purpose applications order R56M-2, R60-2, R67-2, R100-2, or R380-3
- ◆ Precision applications order IR100-2, R57M-2, IR380-3 or ER valve

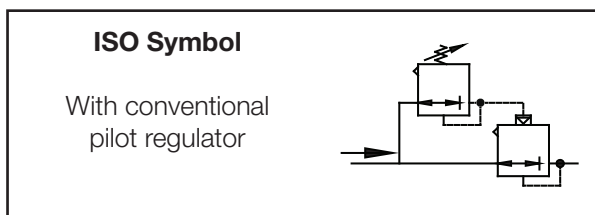
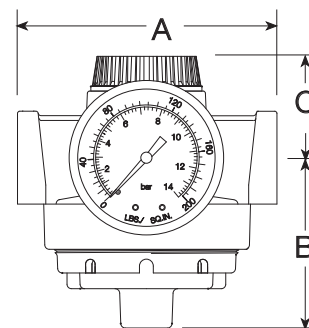
FLOW CHARTS



DIMENSIONS inches (mm)

A	B	C	Depth †	Weight † lb (kg)
3.5 (89)	2.4 (62)	1.3 (33)	2.8 (71)	2.06 (0.92)

† Less gauge.



ORDERING INFORMATION

Change the letters in the sample model number below to specify the regulator you want.

NOTE: Order a pilot operator such as **R55-2**, **R56-2**, or **IR100-2** separately.

PRH100 - 2 Y G W

<p>PORT SIZE</p> <p>1/4 NPTF..... 2</p> <p>3/8 NPTF..... 3</p> <p>1/2 NPTF..... 4</p> <p>3/4 NPTF..... 6</p>	<p>Y</p>	<p>G</p>	<p>W</p>	<p>PORT TYPE</p> <p>NPTF threads Leave Blank</p> <p>BSP threads W</p> <p>OPTION</p> <p>None Leave Blank</p> <p>0-200 PSI Gauge G</p> <p>OPTION</p> <p>None Leave Blank</p> <p>Viton seals..... V</p>
---	-----------------	-----------------	-----------------	---

MOUNTING BRACKETS
See page 320.