

Shuttle Valves

SV20 Models Port Size: 1/8, 1/4

Model Shown: SV20-2



- ◆ Valve has two inlets and one outlet. Valve is pressure actuated so that the inlet with the higher pressure is connected to the outlet.
- ◆ Nitrile or Teflon seals. Teflon seals are resistant to xylene and mek (*methyl ethylketone*).
- ◆ NPTF port threads; optional ISO G (BSPP) threads.

SPECIFICATIONS

Ambient/Media Temperature:

-40° to 175°F (-40° to 80°C).

Body: Aluminum.

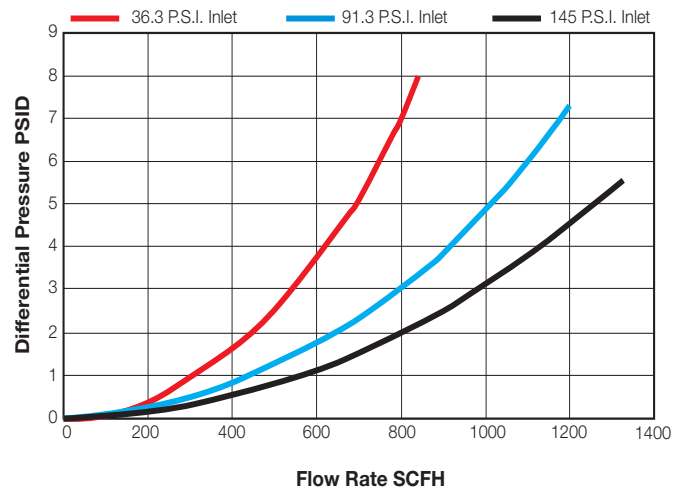
Fluid Media: Compressed air.

Inlet Pressure:

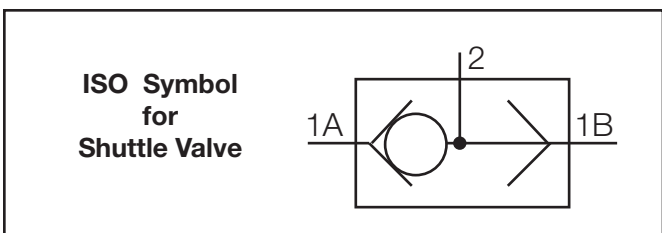
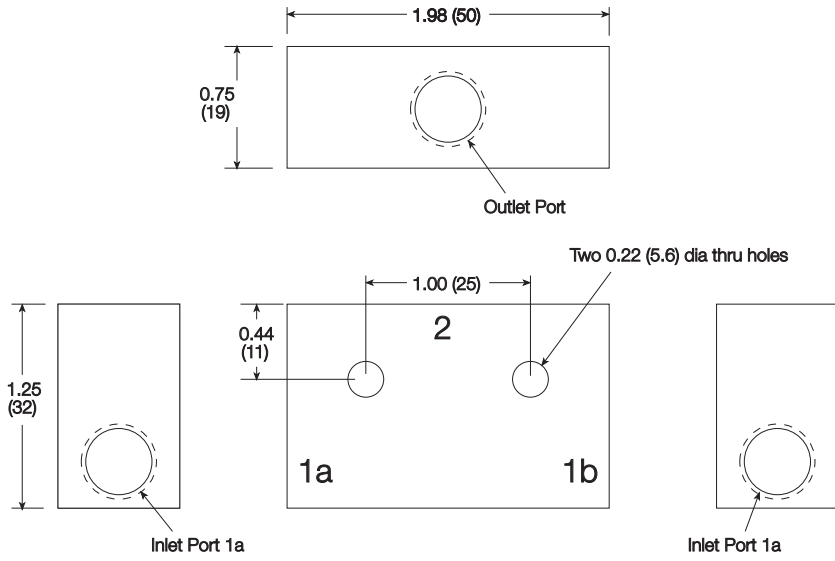
5 to 150 psig (0.3 to 10 bar).

Seals: Nitrile or Teflon.

SV20-2 FLOW CHARACTERISTICS



DIMENSIONS inches (mm)



ORDERING INFORMATION

Select the port sizes in the sample model number below to specify the valve you want.

SV20 -1 T W

INLET/OUTLET PORTS

- 1/8 NPTF..... 1
- 1/4 NPTF..... 2

THREAD TYPE

- NPTF Leave Blank
- ISO G (BSPP) W

SEALS:

- Nitrile Leave Blank
- Teflon T