



BFC6A401H & BFC401H Installation and Maintenance

MASTER PNEUMATIC - DETROIT, INC.

6701 -18 Mile Rd. | Sterling Heights, MI 48314 | Phone: (586) 254-1000 | Fax: (586) 254-6055 | Email: mp@masterpneumatic.com

PRODUCT NUMBERS:

BFC6A401H-16
BFC401H-16

THANK YOU!

You have just purchased a quality Filter from Master Pneumatic.

With care in its installation and maintenance, you can expect it to have a long and economical service life. Before you go any further, please take a few minutes to look over this information, then save it for future reference and for the useful service information it contains.

Installation & Operation Procedures

NOTE: Read Warning Stuffer STU-A019 included in box with product before proceeding.

INSTALLATION:

1. Depressurize and lockout air pressure.
2. Upstream pipes must be free of excessive dirt and liquids.
3. A conventional M/P Filter with standard 5 micron filter element should be installed immediately ahead of Coalescing Filters to maximize the life of the coalescing element.
4. Install the Coalescent Filter as near as possible to the device it is to serve.
5. Install the Coalescent Filter so that air flows from inlet to outlet as shown on the head.
6. The Coalescent Filter must be installed vertically with drain mechanism at the bottom.
7. Coalescent Filters should be installed upstream of any Regulators or Lubricators in the airline.

OPERATION:

1. Float Drain Filter may be drained manually by turning Drain Stem clockwise until bowl drains. Return to full counter-clockwise position for automatic drain position. To install 3/16 flexible tubing, push tubing on the Stem. A tube clamp should be used to retain tubing on drain stem.
2. Manual Filter is drained by turning Draincock Knob clockwise.
3. Replace Coalescent Element when the pressure differential reaches 8 to 10 psid (0.55 to 0.69 bar).

TO CLEAN OR REPAIR:

1. Depressurize and lockout air pressure.
2. Remove Bowl Assembly by turning counter-clockwise. Either the Bowl or Bowl and Extension Sleeve will break loose. Either combination will enable the servicing of the Coalescent Filter Element.
3. Remove Lower Baffle by turning the Wing Nut counter-clockwise.
4. The Coalescent Element can now be removed. Do NOT clean elements, they must be replaced.
5. To service Float Drain, remove the Drain Nut by turning counter-clockwise. The Float Drain can now be removed from Bowl.
6. The Float Drain and Bowl can now be cleaned. (*For instructions to repair Float Drain see STU-A028.*)
7. When re-assembling, be sure all gaskets and o-rings are correctly located. Lubricate o-rings with Lithium grease. Torque Drain Nut 35-45 in-lbs. Torque Wing Nut finger tight. Torque Bowl and Bowl Extension to Head 90 to 110 Ft-Lb.
8. If the Filter cannot be repaired by cleaning with soap and water, the parts should be replaced.

Replacement Parts

DESCRIPTION	PART NUMBER
Float Drain Metal Ext. Bowl Assembly	ABF6A106-48MH
Manual Metal Bowl Ext. Assembly	ABF106-48MH
Seal Kit— Upper & Lower Baffle, Gasket, Bowl O-ring, and Wing Nut	A106-25
Float Drain Kit	A802-49
Manual Draincock	103-51SP

DESCRIPTION	PART NUMBER
Element Kit - 0.3 µm (Std Element)	A106-24L
Element Kit - 0.01 µm	A106-24LE8
Differential Pressure Gage	106-35



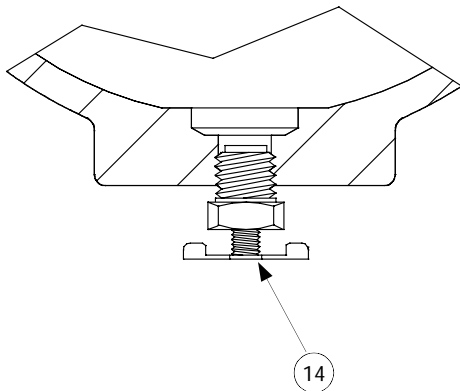
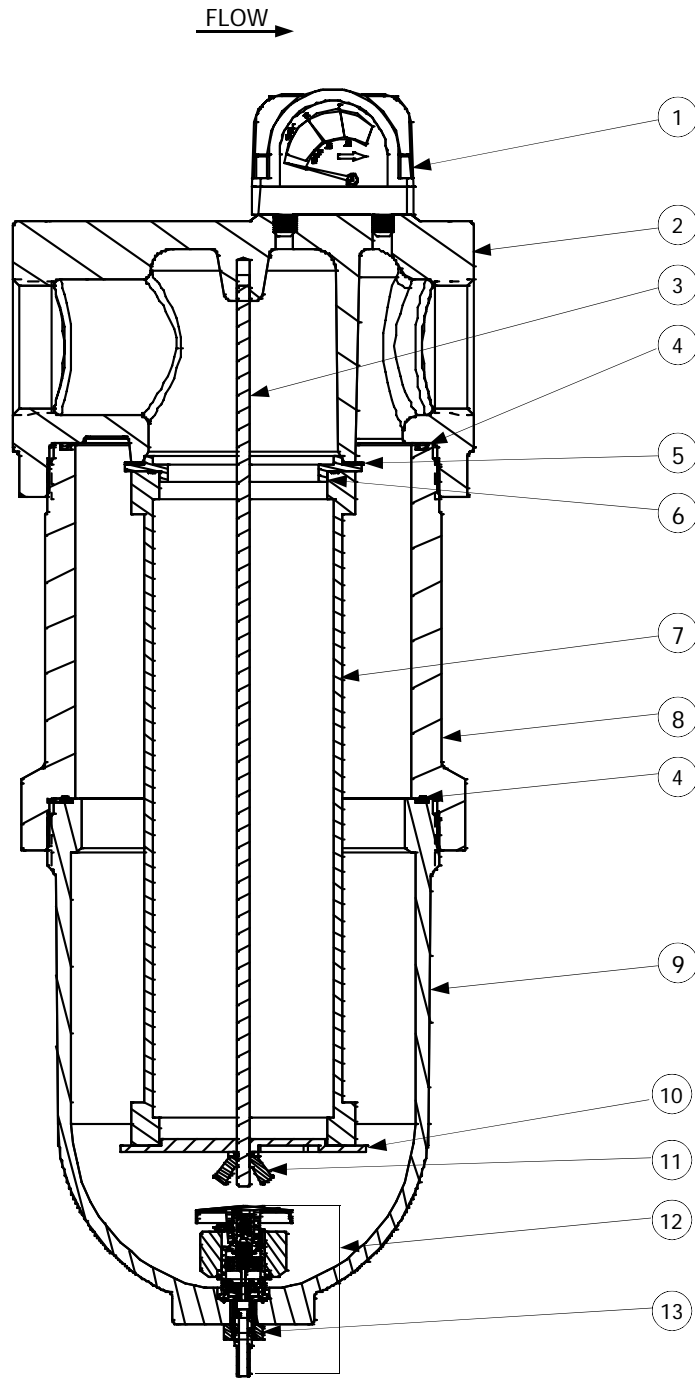
BFC6A401H & BFC401H Installation and Maintenance

MASTER PNEUMATIC - DETROIT, INC.

6701 -18 Mile Rd. | Sterling Heights, MI 48314 | Phone: (586) 254-1000 | Fax: (586) 254-6055 | Email: mp@masterpneumatic.com

Parts Listing

KEY	DESCRIPTION
1	Differential pressure Gauge
2	Head
3	Stud
4	O-Ring Qty(2)
5	Gasket
6	Baffle
7	Coalescent Filter Element
8	Bowl Extension
9	Metal Bowl
10	Lower Baffle
11	Wing Nut
12	Float Drain
13	Drain Nut
14	Draincock



BF401H SECTION

BF6A401H SECTION



BFC6A401H & BFC401H Installation and Maintenance

MASTER PNEUMATIC - DETROIT, INC.

6701 -18 Mile Rd. | Sterling Heights, MI 48314 | Phone: (586) 254-1000 | Fax: (586) 254-6055 | Email: mp@masterpneumatic.com

Dimensional Specifications

KEY	BF6A401H-16	BF401H-16
A	8.06" [204,7 mm]	8.06" [204,7 mm]
B	8.0" [203,2 mm]	8.0" [203,2 mm]
C	4.62" [117,3 mm]	4.62" [117,3 mm]
D	18.3" [464,9 mm]	18.3" [464,9 mm]

