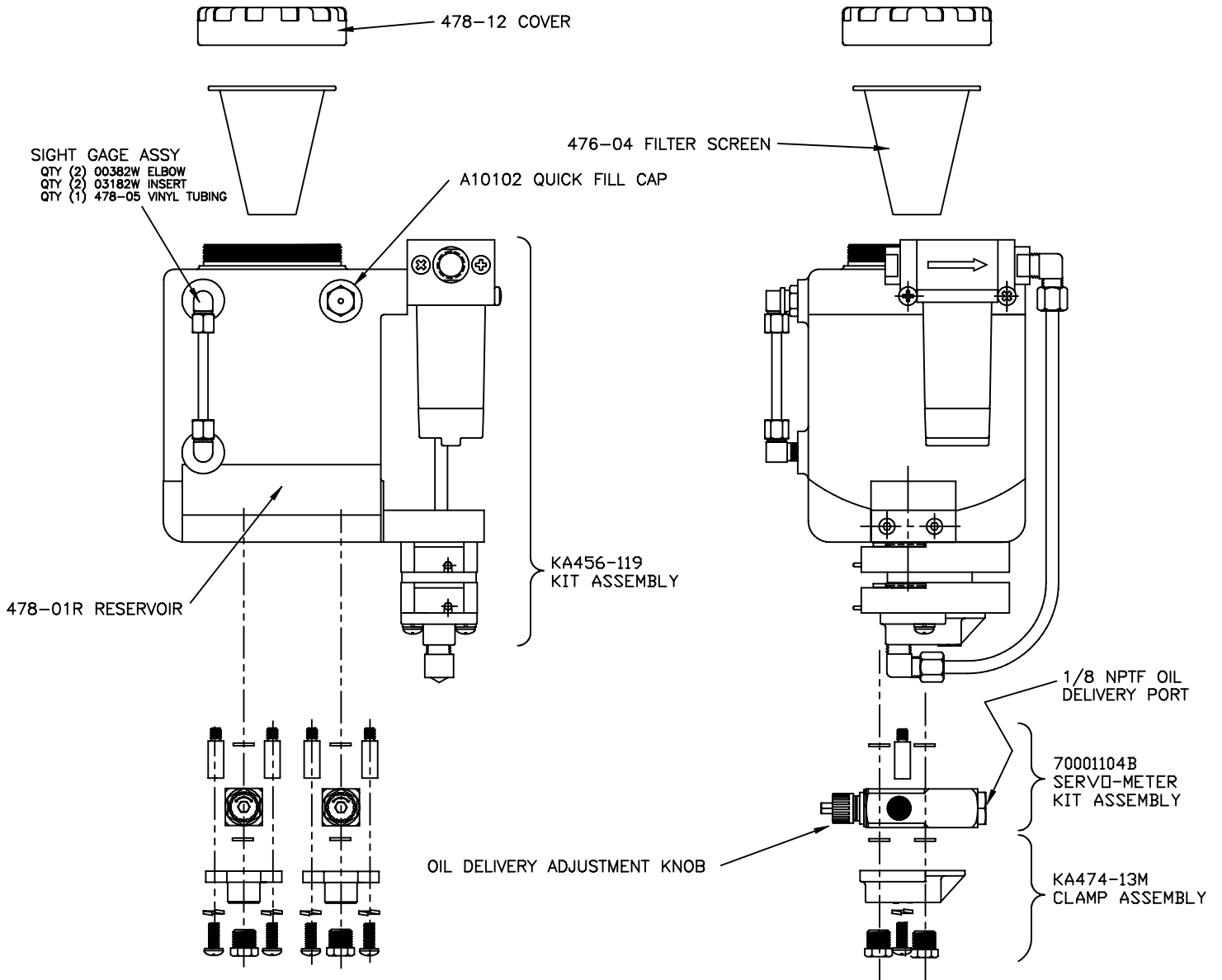




MASTER PNEUMATIC - DETROIT INC

73000004B-CC SERIES AUTOMATION PAC PARTS DRAWING



SCALE:
1/4 X

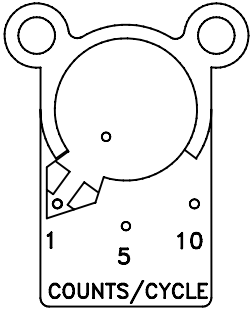
DRAWN BY:
RHS 5-10-95

DWG NO:
A1569

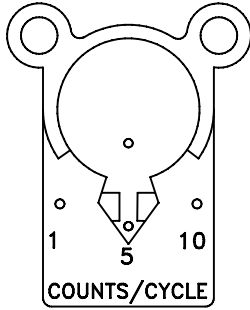


MASTER PNEUMATIC - DETROIT INC

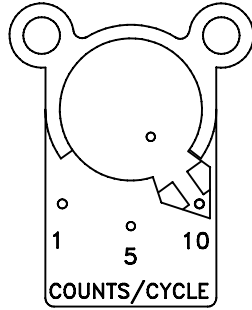
73000004B-CC SERIES AUTOMATION PAC PARTS DRAWING



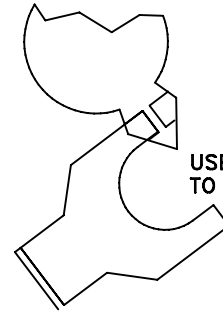
COUNTER ACTUATES
SERVO-METER
EVERY CYCLE



COUNTER ACTUATES
SERVO-METER EVERY
FIFTH CYCLE



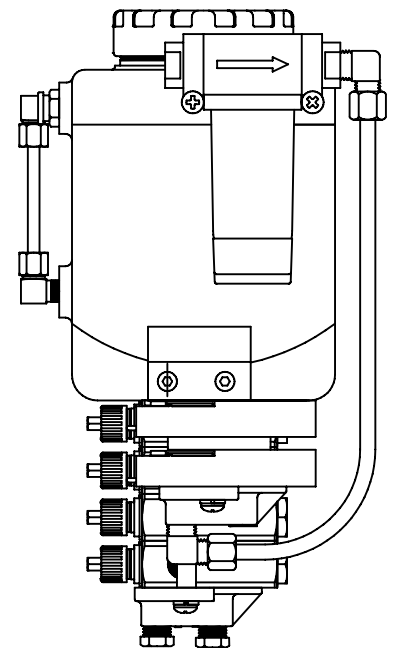
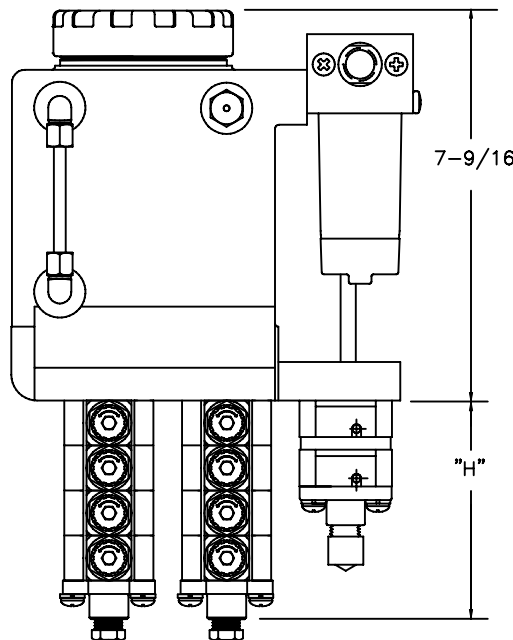
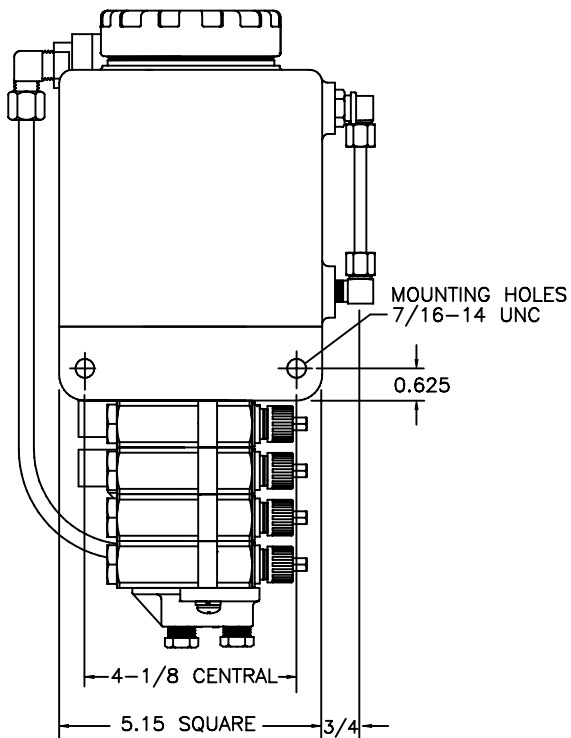
COUNTER ACTUATES
SERVO-METER EVERY
TENTH CYCLE



COUNTER

USE ADJUSTING TOOL
TO SET CYCLE RATE

		SET COUNTER "A"			
		1	5	10	
SET COUNTER "B"	1	1	5	10	1 OPERATION PER # OF CYCLES
	5	5	25	50	
	10	10	50	100	
		1 OPERATION PER # OF CYCLES			



NOTE: "H" DIMENSION = 5/8 + (NUMBER OF SERVO+METERS X 7/8)

SCALE:
NONE

DRAWN BY:
RHS 5-10-95

DWG NO:
A1569-1