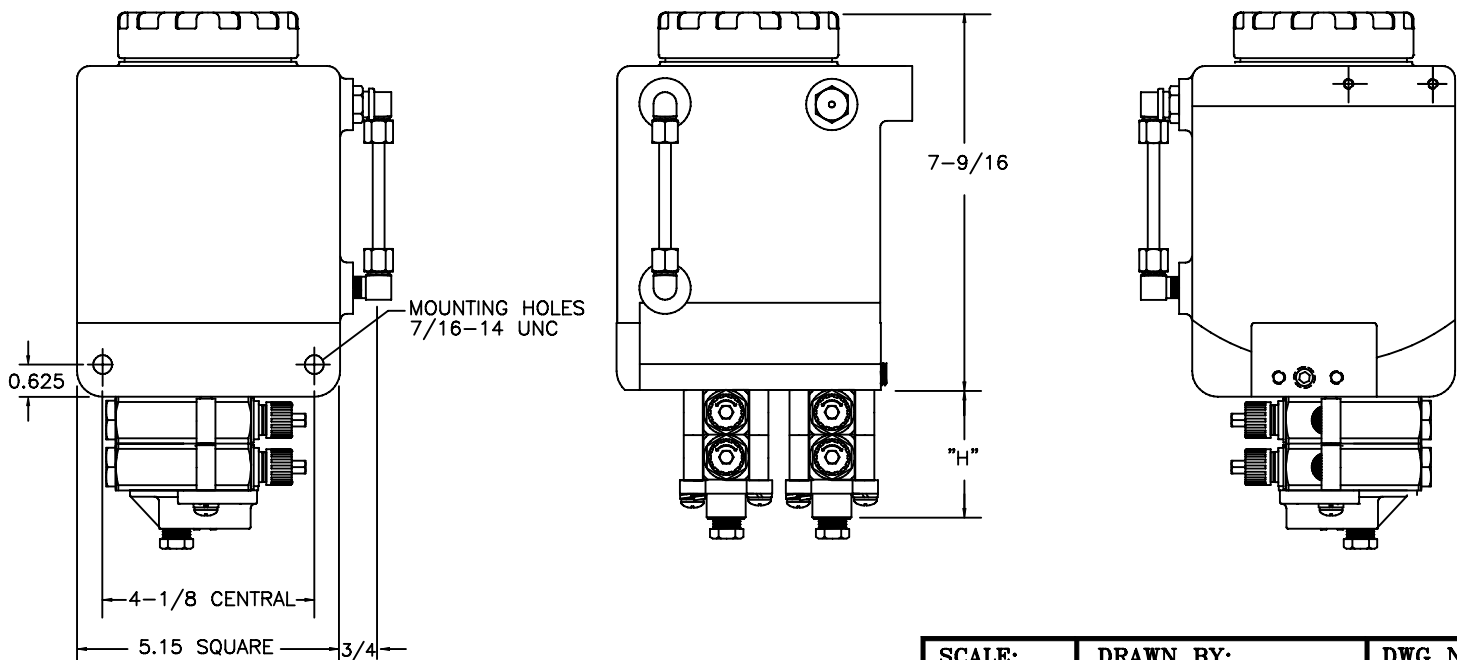
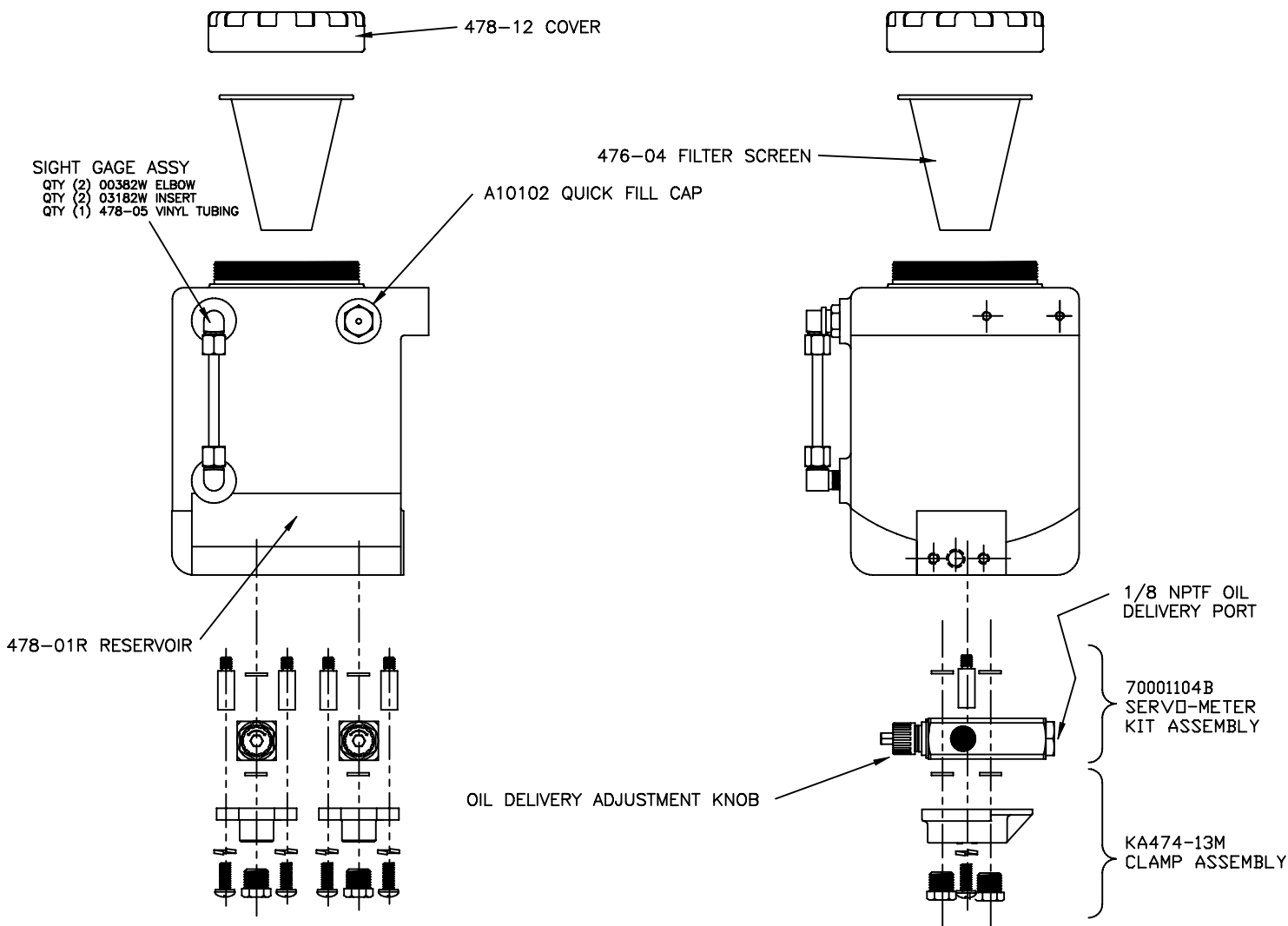




# MASTER PNEUMATIC - DETROIT INC

## 730000000 AUTOMATION PAC PARTS DRAWING



NOTE: "H" DIMENSION = 5/8 + (NUMBER OF SERVO-METERS X 7/8)

SCALE:  
1/4 X

DRAWN BY:  
RHS 5-5-95

DWG NO:  
A1567