



350 Adsorbing Filters Installation and Maintenance

MASTER PNEUMATIC, INC.

6701-18 Mile Rd. | Sterling Heights, MI 48314 | Phone: (586) 254-1000 | Fax: (586) 254-6055 | Email: mp@masterpneumatic.com

SAMPLE PRODUCT NUMBERS:

FC350-2E9, -3E9, -4E9
BFC350-2E9, -3E9, -4E9

THANK YOU!

You have just purchased a quality Adsorber Filter from Master Pneumatic.

With care in its installation and maintenance, you can expect it to have a long and economical service life.

Before you go any further, please take a few minutes to look over this information, then save it for future reference and for the useful service information it contains.



Installation & Operation Procedures

NOTE: Read Warning Stuffer STU-A019 included in box with product before proceeding.

INSTALLATION:

1. Depressurize and lockout air pressure.
2. Upstream pipes must be free of excessive dirt and liquids.
3. A General purpose M/P Filter with standard 5 micron filter element, then a Coalescent M/P Filter should be installed immediately ahead of Adsorbing Filter to maximize the life of the element.
4. Install the Adsorbing Filter as near as possible to the device it is to serve.
5. Install the Adsorbing Filter so that air flows in direction of arrow on Filter Cap (#1).
6. The Adsorbing Filter must be installed vertically with drain knob at the bottom.
7. If installing using modular clamp connections A118-105 or A118-105M, torque screws 30-40 in-lbs.

OPERATION:

1. Drain to discharge accumulated liquids by turning Drain Knob (#12) clockwise. Return to full counter-clockwise position. There should not be any condensate in the Filter Bowl. If there is, then the Pre-Filtration needs to be maintained.
2. Replace Plastic Bowls with Metal if any signs of crazing or cracking are observed.
3. Replace Element every three months minimum.

TO CLEAN OR REPAIR:

1. Depressurize and lockout air pressure.
2. Remove Plastic Bowl Assembly (#9 Section View 2) by turning Shatterguard (#8 Section View 2) counter-clockwise. Or remove Metal Bowl Assembly (#9 Section View 1) by turning counter-clockwise.
3. Remove Bottom Cap (#7) by turning counter-clockwise.
4. The Element (#6) can now be removed. Do Not clean elements, they must be replaced.
5. To service Manual Drain (#10), turn Drain Knob (#12) counter-clockwise until it stops. Then push Drain Knob (#12) up to expose Drain Clip (#13). Remove Drain Clip (#13) and pull off Drain Knob (#12).
6. Remove Drain Nut (#11) by turning counter-clockwise. The Manual Drain (#10) can now be removed from Bowl and disassembled.
7. The Manual Drain (#10) and Bowl can now be cleaned.
8. When re-assembling, be sure all o-rings are correctly located. Lubricate o-rings with Lithium grease. Torque Bottom Cap (#7) hand tight. Torque Drain Nut (#11) 5-15 in-lbs. The Shatterguard (#8 Section View 2) and Metal Bowl (#9 Section View 1) should be torqued to 75-125 in-lbs, and tab must be within notch as shown in Fig 1 and 2.
9. If the Adsorbing Filter cannot be repaired by cleaning with soap and water the parts should be replaced.



350 Adsorbing Filters Installation and Maintenance

MASTER PNEUMATIC, INC.

6701-18 Mile Rd. | Sterling Heights, MI 48314 | Phone: (586) 254-1000 | Fax: (586) 254-6055 | Email: mp@masterpneumatic.com

Section View 1 Metal Bowl

KEY	DESCRIPTION
1	Filter Cap
2	Filter Head
3	O-Ring
4	O-Ring
5	Top Cap
6	Element
7	Bottom Cap
8	Not used on Metal Bowl
9	Metal Bowl Assembly
10	Manual Drain
11	Drain Nut
12	Drain Knob
13	Drain Clip

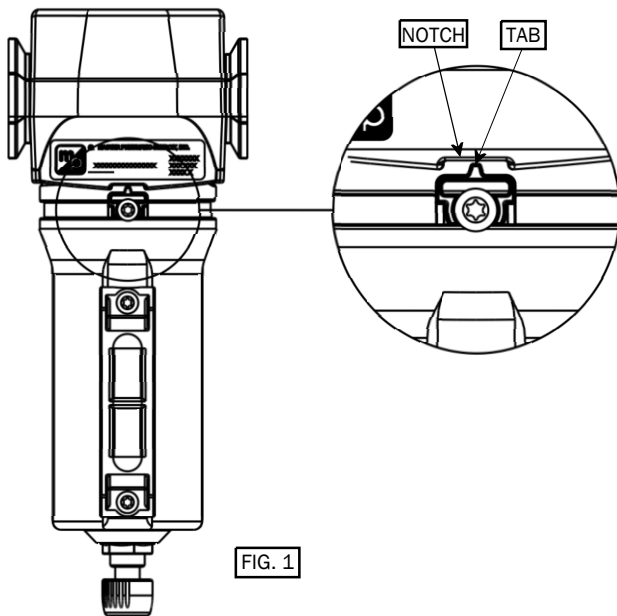
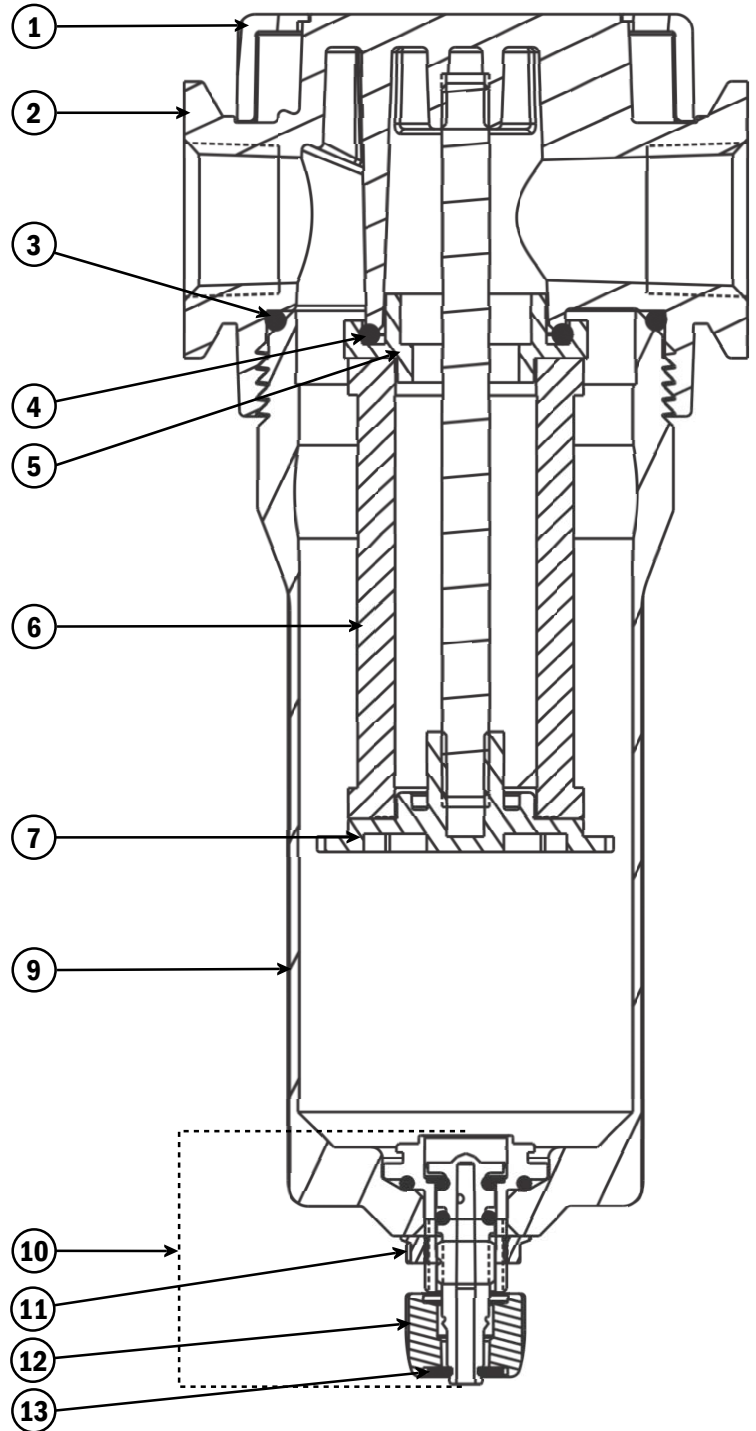


FIG. 1



350 Adsorbing Filters Installation and Maintenance

MASTER PNEUMATIC, INC.

6701-18 Mile Rd. | Sterling Heights, MI 48314 | Phone: (586) 254-1000 | Fax: (586) 254-6055 | Email: mp@masterpneumatic.com

Section View 2 Plastic Bowl

KEY	DESCRIPTION
1	Filter Cap
2	Filter Head
3	O-Ring
4	O-Ring
5	Top Cap
6	Element
7	Bottom Cap
8	Shatterguard
9	Plastic Bowl Assembly
10	Manual Drain
11	Drain Nut
12	Drain Knob
13	Drain Clip

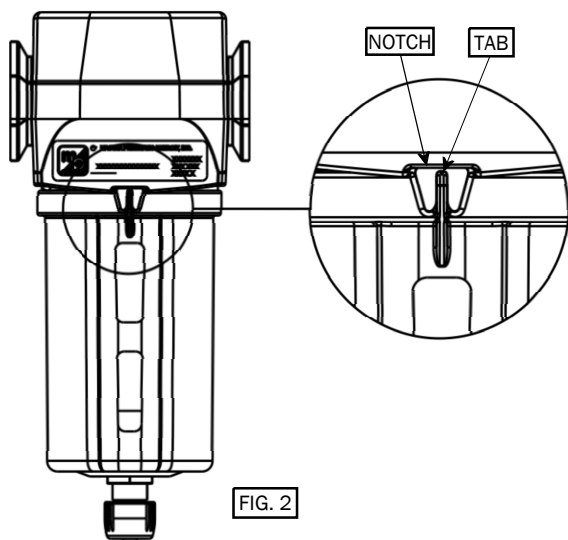
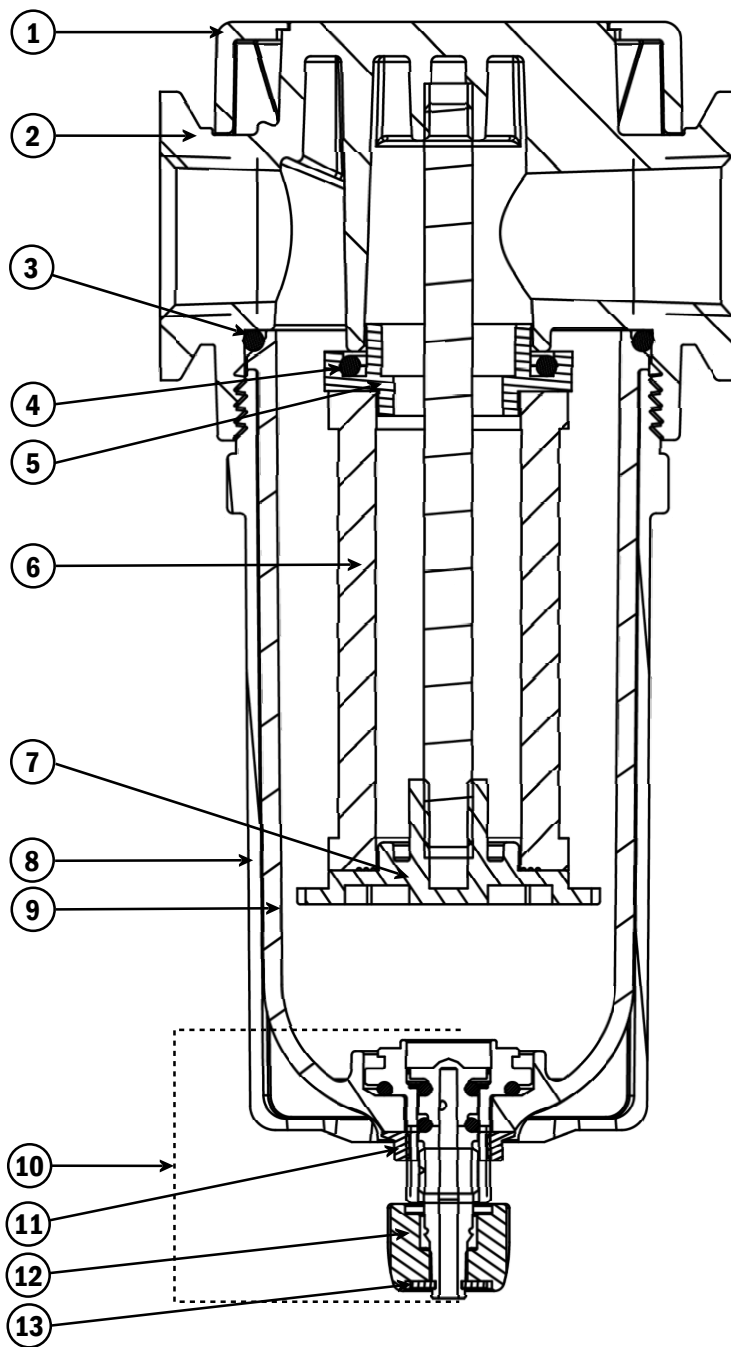


FIG. 2



350 Adsorbing Filters Installation and Maintenance

MASTER PNEUMATIC, INC.

6701-18 Mile Rd. | Sterling Heights, MI 48314 | Phone: (586) 254-1000 | Fax: (586) 254-6055 | Email: mp@masterpneumatic.com

Replacement Parts and Mounting Accessories

PART NUMBER	DESCRIPTION
Element Kits	
A60F-29E9	Adsorber Element Kit, Standard (Element & O-Rings)
A60F-32E9	Extended Metal Bowl Adsorber Element Kit (Element & O-Rings)
Replacement Bowl with Drain Kits	
AF125-02	Plastic Bowl Manual Drain Assembly (Plastic Bowl, Shatterguard, Manual Drain, Nut, Knob, Clip & O-rings)
ABF125-06	Metal Adsorber Bowl Manual Drain Assembly (Metal Adsorber Bowl, Manual Drain, Nut, Knob, Clip & O-rings)
ABF125-06H	Metal Extended Adsorber Bowl Manual Drain Assembly (Metal Extended Adsorber Bowl, Manual Drain, Nut, Knob, Clip & O-rings)
Drain Kit	
A802-32	Manual Drain Assembly (Manual Drain, Nut, Knob, Clip & O-rings)
Mounting Brackets	
A118-103	Modular Bracket and Screw for adding bracket to existing connecting clamps
A118-105M	Modular Connections and Bracket Kit (Modular connecting clamps, o-ring, screws and bracket)
UMB-2	Bracket for 1/4" piped units (U-bolt, bracket, nut and locking washer)
UMB-3	Bracket for 3/8" piped units (U-bolt, bracket, nut and locking washer)
UMB-4	Bracket for 1/2" piped units (U-bolt, bracket, nut and locking washer)