



350 Coalescing Filters Installation and Maintenance

MASTER PNEUMATIC, INC.

6701 -18 Mile Rd. | Sterling Heights, MI 48314 | Phone: (586) 254-1000 | Fax: (586) 254-6055 | Email: mp@masterpneumatic.com

SAMPLE PRODUCT NUMBERS:

FC350-2, 3, 4
FC5A350-2, 3, 4
BFC350-2, 3, 4
BFC6A350-2, 3, 4

THANK YOU!

You have just purchased a quality Coalescing Filter from Master Pneumatic.

With care in its installation and maintenance, you can expect it to have a long and economical service life. Before you go any further, please take a few minutes to look over this information, then save it for future reference and for the useful service information it contains.



Installation & Operation Procedures

NOTE: Read Warning Stuffer STU-A019 included in box with product before proceeding.

INSTALLATION:

1. Depressurize and lockout air pressure.
2. Upstream pipes must be free of excessive dirt and liquids.
3. Install the Coalescing Filter as near as possible to the device it is to serve.
4. Install the Coalescing Filter so that air flows in direction of arrow on Filter Cap (#2).
5. The Coalescing Filter must be installed vertically with drain knob at the bottom.
6. Coalescing Filter should be installed upstream of any Regulators, Lubricators or Valve in the airline.
7. Installing downstream of a general purpose M/P Filter with standard 5 micron filter element will provide maximum life of the Coalescing element.
8. If installing using modular clamp connections A118-105 or A118-105M, torque screws 30-40 in-lbs.

OPERATION:

1. For Manual Drain Models: Periodically drain to discharge accumulated liquids by turning Drain Knob (#14) clockwise. Return to full counter-clockwise position.
2. For Float Drain Models: Filter may be drained manually by turning Drain Knob (#14) clockwise until bowl drains. Return to full counter-clockwise position for automatic drain operation.
3. To install 3/16 I.D. flexible tubing, push Drain Knob (#14) up to expose the Drain Clip (#15). Remove the Drain Clip (#15) and Drain Knob (#14). Push tubing on Stem (#16). A tube clamp or zip tie should be used to retain tubing on drain stem.
4. Replace Plastic Bowls with Metal if any signs of crazing or cracking are observed.
5. Replace Element when dirty. If pressure differential reaches 8 psid, element MUST be replaced.

TO CLEAN OR REPAIR:

1. Depressurize and lockout air pressure.
2. Remove Plastic Bowl Assembly (#10 Section View 2) by turning Shatterguard (#9 Section View 2) counter-clockwise. Or remove Metal Bowl Assembly (#10 Section View 1) by turning counter-clockwise.
3. Remove Bottom Cap (#8) by turning counter-clockwise.
4. The Coalescent Element (#7) can now be removed. Do Not clean elements, they must be replaced.
5. To service Internal Float or Manual Drain: Turn Drain Knob (#14) counter-clockwise until it stops, then push Drain Knob (#14) up to expose Drain Clip (#15). Remove Drain Clip (#15) and pull off Drain Knob (#14).
6. Remove Drain Nut (#13) by turning counter-clockwise. The Internal Float Drain can now be removed from Bowl and disassembled.
7. The Internal Float or Manual Drain and Bowl can now be cleaned.
8. When re-assembling, be sure all o-rings are correctly located. Lubricate o-rings with Lithium grease. Torque Bottom Cap (#8) hand tight. Torque Drain Nut (#13) 5-15 in-lbs. The Shatterguard (#9 Section View 2) and Metal Bowl (#10 Section View 1) should be torqued to 75-125 in-lb and tab must be within notch as shown in Figure 1 and 2.
9. If the Filter cannot be repaired by cleaning with soap and water the parts should be replaced.



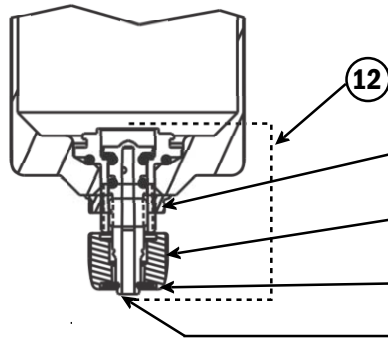
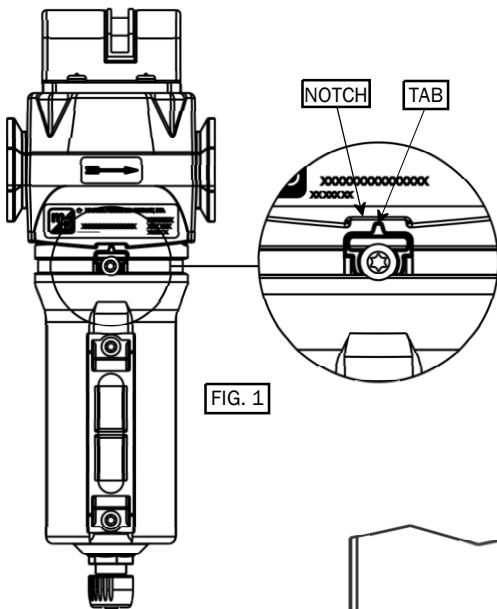
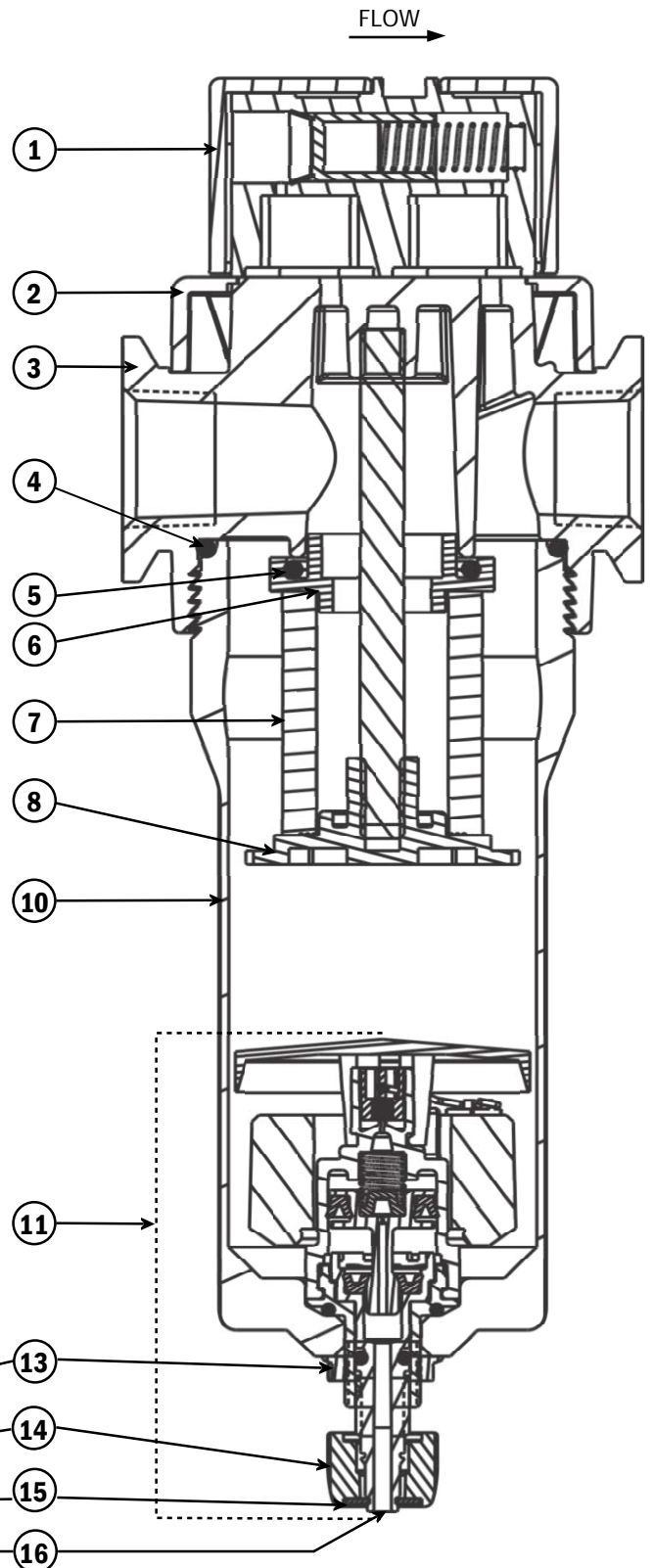
350 Coalescing Filters Installation and Maintenance

MASTER PNEUMATIC, INC.

6701 -18 Mile Rd. | Sterling Heights, MI 48314 | Phone: (586) 254-1000 | Fax: (586) 254-6055 | Email: mp@masterpneumatic.com

Section View 1 Metal Bowl

KEY	DESCRIPTION
1	Differential Pressure Gauge
2	Filter Cap
3	Filter Head
4	O-Ring
5	O-Ring
6	Top Cap
7	Coalescent Element
8	Bottom Cap
10	Metal Bowl Assembly
11	Internal Float Drain
12	Manual Drain
13	Drain Nut
14	Drain Knob
15	Drain Clip
16	Drain Stem





350 Coalescing Filters Installation and Maintenance

MASTER PNEUMATIC, INC.

6701-18 Mile Rd. | Sterling Heights, MI 48314 | Phone: (586) 254-1000 | Fax: (586) 254-6055 | Email: mp@masterpneumatic.com

Section View 2 Plastic Bowl

KEY	DESCRIPTION
1	Differential Pressure Gauge
2	Filter Cap
3	Filter Head
4	O-Ring
5	O-Ring
6	Top Cap
7	Coalescent Element
8	Bottom Cap
9	Shatterguard
10	Plastic Bowl Assembly
11	Internal Float Drain
12	Manual Drain
13	Drain Nut
14	Drain Knob
15	Drain Clip
16	Drain Stem

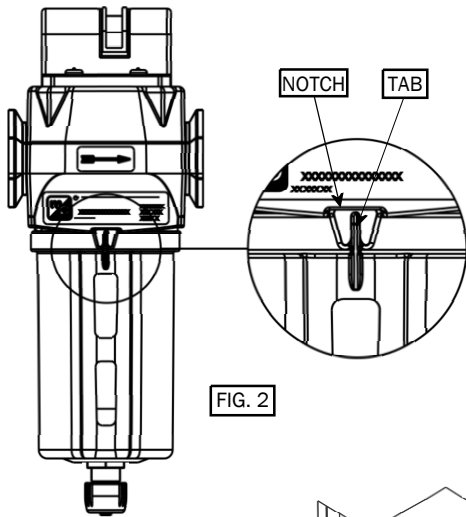
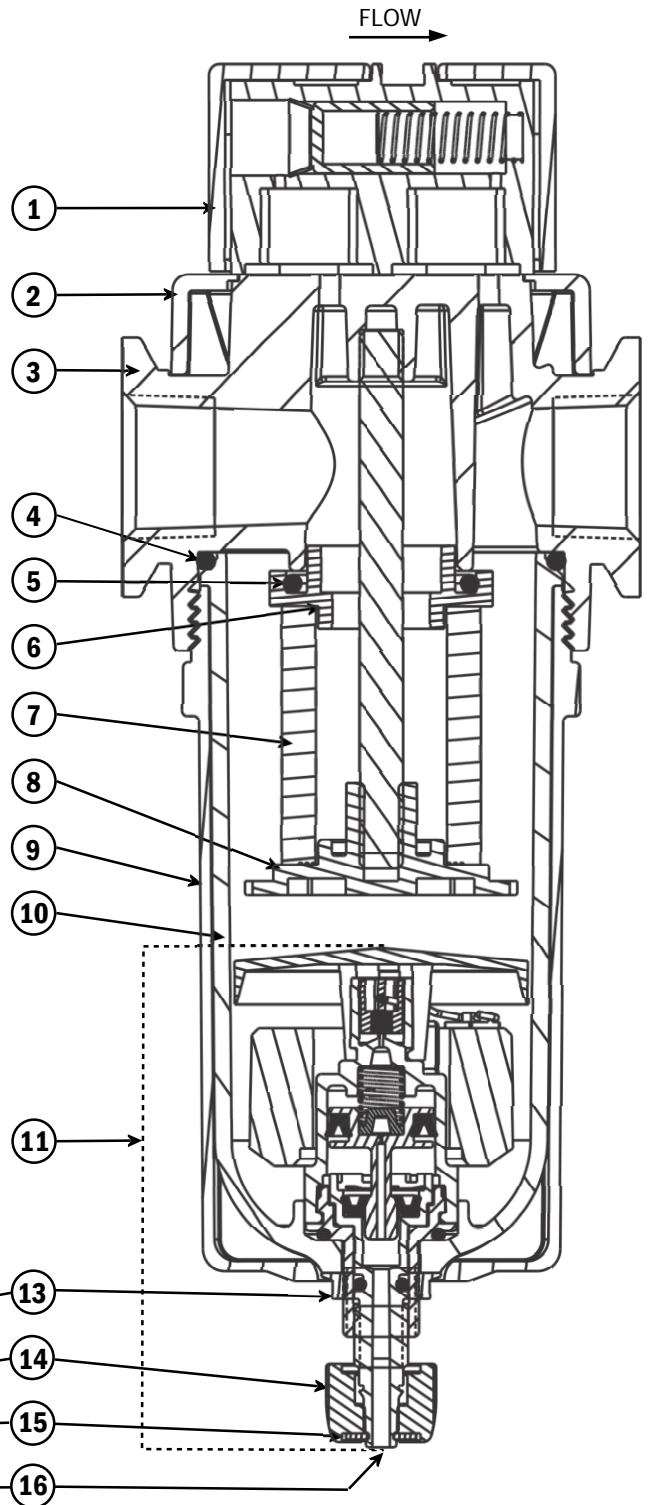
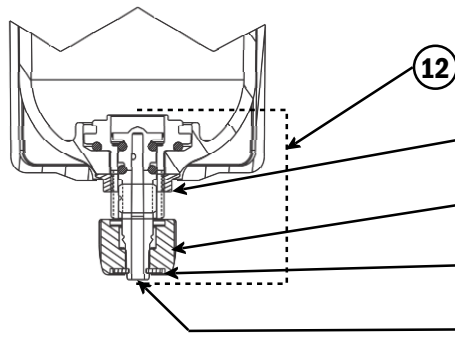


FIG. 2





350 Coalescing Filters Installation and Maintenance

MASTER PNEUMATIC, INC.

6701-18 Mile Rd. | Sterling Heights, MI 48314 | Phone: (586) 254-1000 | Fax: (586) 254-6055 | Email: mp@masterpneumatic.com

Replacement Parts and Mounting Accessories

PART NUMBER	DESCRIPTION
Replacement Gauge Kit	
A125-09	Differential Pressure Gauge (Gauge & Screws) <i>NOTE: Cannot be added to coalescent filter ordered without gauge</i>
Element Kits	
A60F-23	0.3 um Coalescent Element Kit for Plastic Bowl (Element,& O-Rings)
A60F-23E8	0.01 um Coalescent Element Kit for Plastic Bowl (Element & O-Rings)
A60F-29	0.3 um Coalescent Element Kit for standard Metal Bowl (Element & O-Rings)
A60F-29E8	0.01 um Coalescent Element Kit for standard Metal Bowl (Element & O-Rings)
A60F-32	0.3 um Coalescent Element Kit for Extended Metal Bowl (Element & O-Rings)
A60F-32E8	0.01 um Coalescent Element Kit for Extended Metal Bowl (Element & O-Rings)
Replacement Bowl with Drain Kits	
AF125-02	Plastic Bowl Manual Drain Assembly (Plastic Bowl, Shatterguard, Manual Drain, Nut, Knob, Clip & O-rings)
AF5A125-02	Plastic Bowl Internal Float Drain Assembly (Plastic Bowl, Shatterguard, Float Drain, Nut, Knob, Clip & O-rings)
ABF125-03	Metal Bowl Manual Drain Assembly (Metal Bowl, Manual Drain, Nut, Knob, Clip & O-rings)
ABF5A125-03	Metal Bowl Plastic Stem Internal Float Drain Assembly (Metal bowl, Float Drain, Nut, Knob, Clip & O-rings)
ABF6A125-03	Metal Bowl Brass Stem Internal Float Drain Assembly (Metal Bowl, Brass Stem Float Drain, Nut, Knob, Clip & O-rings)
ABF125-03H	Metal Extended Bowl Manual Drain Assembly (Metal Bowl, Manual Drain, Nut, Knob, Clip & O-rings)
ABF5A125-03H	Metal Ext. Bowl Plastic Stem Internal Float Drain Assembly (Metal bowl, Float Drain, Nut, Knob, Clip & O-rings)
ABF6A125-03H	Metal Extended Bowl Brass Stem Internal Float Drain Assembly (Metal Bowl, Brass Stem Float Drain, Nut, Knob, Clip & O-rings)
Drain Kits	
A802-32	Manual Drain Assembly (Manual Drain, Nut, Knob, Clip & O-rings)
A802-42	Float Drain Assembly (Float Drain, Nut, Knob, Clip & O-rings)
A802-49	Brass Stem Float Drain Assembly (Brass Stem Float Drain, Nut, Knob, Clip & O-rings)
Mounting Brackets	
A118-103	Modular Bracket and Screw for adding bracket to existing connecting clamps
A118-105M	Modular Connections and Bracket Kit (Modular connecting clamps, o-ring, screws and bracket)
UMB-2	Bracket for 1/4" piped units (U-bolt, bracket, nut and locking washer)
UMB-3	Bracket for 3/8" piped units (U-bolt, bracket, nut and locking washer)
UMB-4	Bracket for 1/2" piped units (U-bolt, bracket, nut and locking washer)