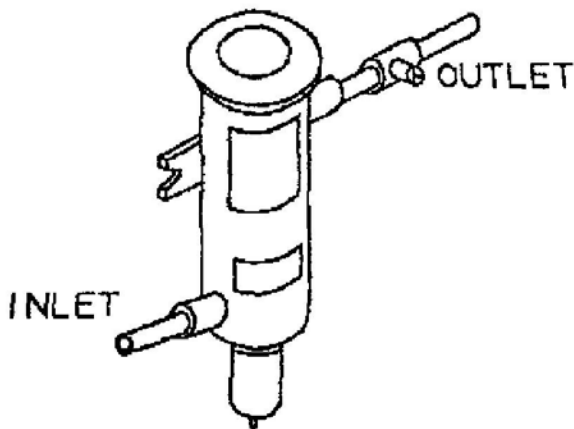
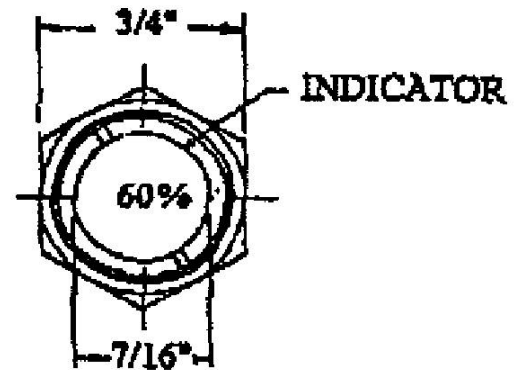


MASTER PNEUMATIC MOISTURE INDICATOR MODEL MI375

The M/P Moisture Indicator Model MI375 is used to monitor the relative humidity on the outlet side of M/P dryers/filters.

This visual indicator utilizes an impregnated paper, which changes color from green in the dry state to yellow when the relative humidity in the air stream approaches 60%. The Moisture Indicator allows you to monitor the life of the



HOUSING MOUNT

The MI375 can be mounted in the housing of dryer/filter model 36 and 38. The unit has a 3/8" NPT connection.

TEE MOUNT

The MI-375 can be mounted in a brass tee, which is installed in the discharge line as shown at the left. This arrangement is available for all dryer/filter body sizes.

The tee supplied with the kit should be assembled and tightened, so that the branch of the tee is in a position that can be observed by the personnel that will monitor the moisture indicator. The threads should be sealed with the proper pipe sealant material to prevent leakage.