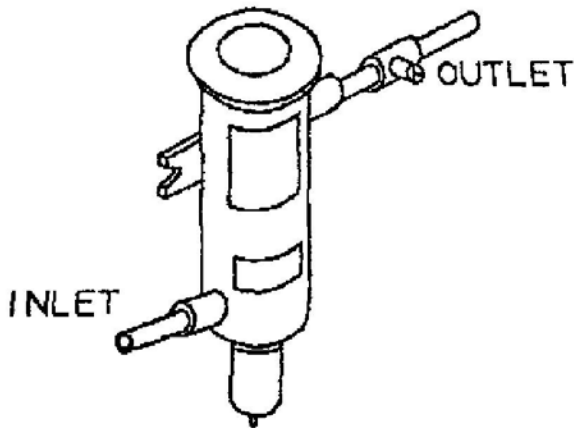
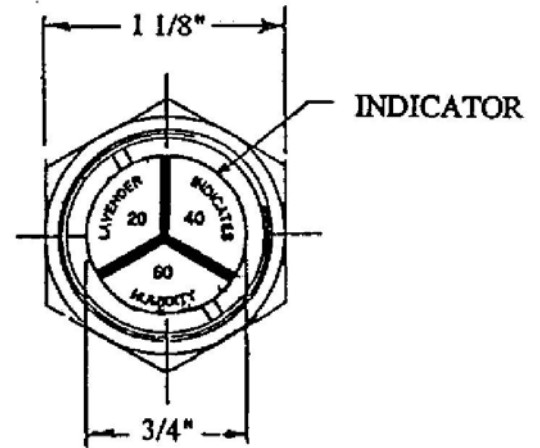


**MASTER PNEUMATIC MOISTURE INDICATOR  
 MODEL MI750**

The M/P Moisture Indicator Model MI750 is used to monitor the relative humidity on the outlet side of M/P dryers/filters.

This visual indicator utilizes an impregnated paper, which changes color from blue in the dry state to pink in the moist state. The indicator is divided into three sections, one of which indicates a 20% relative humidity, one 40% relative humidity, and one 60% relative humidity.

The Moisture Indicator allows you to monitor the



**HOUSING MOUNT**

The MI750 can be mounted in the housing of dryer/filter model 38 and 418 only. The unit has a 3/4" NPT connection.

**TEE MOUNT**

The MI750 can be mounted in a brass tee, which is installed in the discharge line as shown at the left. This arrangement is available for all dryer/filter body sizes 38, 418, 625 and 832..

The tee supplied with the kit should be assembled and tightened, so that the branch of the tee is in a position that can be observed by the personnel that will monitor the moisture indicator. The threads should be sealed with the proper pipe sealant material to prevent leakage.