



E100 Installation and Maintenance

MASTER PNEUMATIC, INC.

6701 -18 Mile Rd. | Sterling Heights, MI 48314 | Phone: (586) 254-1000 | Fax: (586) 254-6055 | Email: mp@masterpneumatic.com

SAMPLE PRODUCT NUMBERS:

E100-1
E100-2
BE100-1
BE100-2

THANK YOU!

You have just purchased a quality External Drain from Master Pneumatic.

With care in its installation and maintenance, you can expect it to have a long and economical service life. Before you go any further, please take a few minutes to look over this information, then save it for future reference and for the useful service information it contains.

Installation & Operation Procedures

NOTE: As of January 2008, the Hydro-Jector Float mechanism has been redesigned

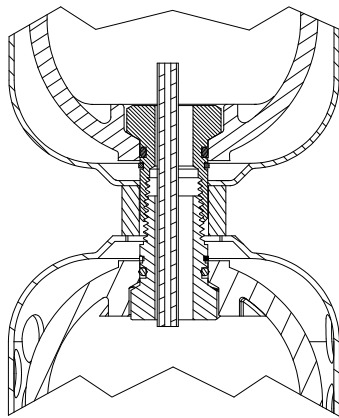


Figure 1. Hydro-Jector installed on Filter

Shown with 1/2" Piping

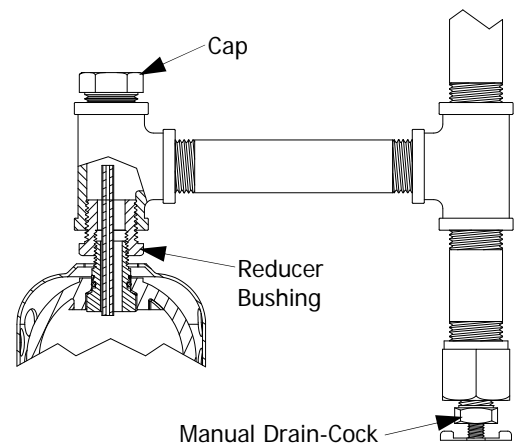


Figure 2. Drain-Leg System

INSTALLATION ON FILTER:

1. Depressurize and lockout air pressure.
2. Filters must be purchased with "LDC" bowl option for use with Hydro-Jector.
3. For Plastic Bowl Filters: Install the Hydro-Jector by turning Adaptor clockwise into the fitting at bottom of Filter Bowl with Spacer provided in between the two Shatterguards. (See Figure 1)
4. For Metal Bowl Filters: Install the Hydro-Jector by turning Adaptor clockwise into the threaded port on bottom of Filter Bowl. The Spacer is NOT needed.
5. Do NOT bend, crimp, or obstruct the Vent Tube.
6. Install Tube Fitting into the 1/8" NPT Drain Outlet Port to tube liquid drainage to a remote disposal point.

INSTALLATION:

1. Depressurize and lockout air pressure.
2. Install the Hydro-Jector at lowest drain point of Tank, Drain Leg, or other Vessel.
3. Install the Hydro-Jector by turning Adaptor clockwise into vessel. A Reducer Bushing may be required. The Spacer is NOT needed.
4. For Drain Leg, it is recommended to install the Hydro-Jector at an offset, as shown in Figure 2, to allow bulk solids to be manually drained.
5. Do NOT bend, crimp, or obstruct the Vent Tube.
6. Install Tube Fitting into the 1/8" NPT Drain Outlet Port to tube liquid drainage to a remote disposal point.

OPERATION:

1. To manually drain the Hydro-Jector pull down on the Nut.
2. Replace Plastic Bowls with Metal if any signs of crazing or cracking is observed.



E100 Installation and Maintenance

MASTER PNEUMATIC, INC.

6701 -18 Mile Rd. | Sterling Heights, MI 48314 | Phone: (586) 254-1000 | Fax: (586) 254-6055 | Email: mp@masterpneumatic.com

Parts Listing

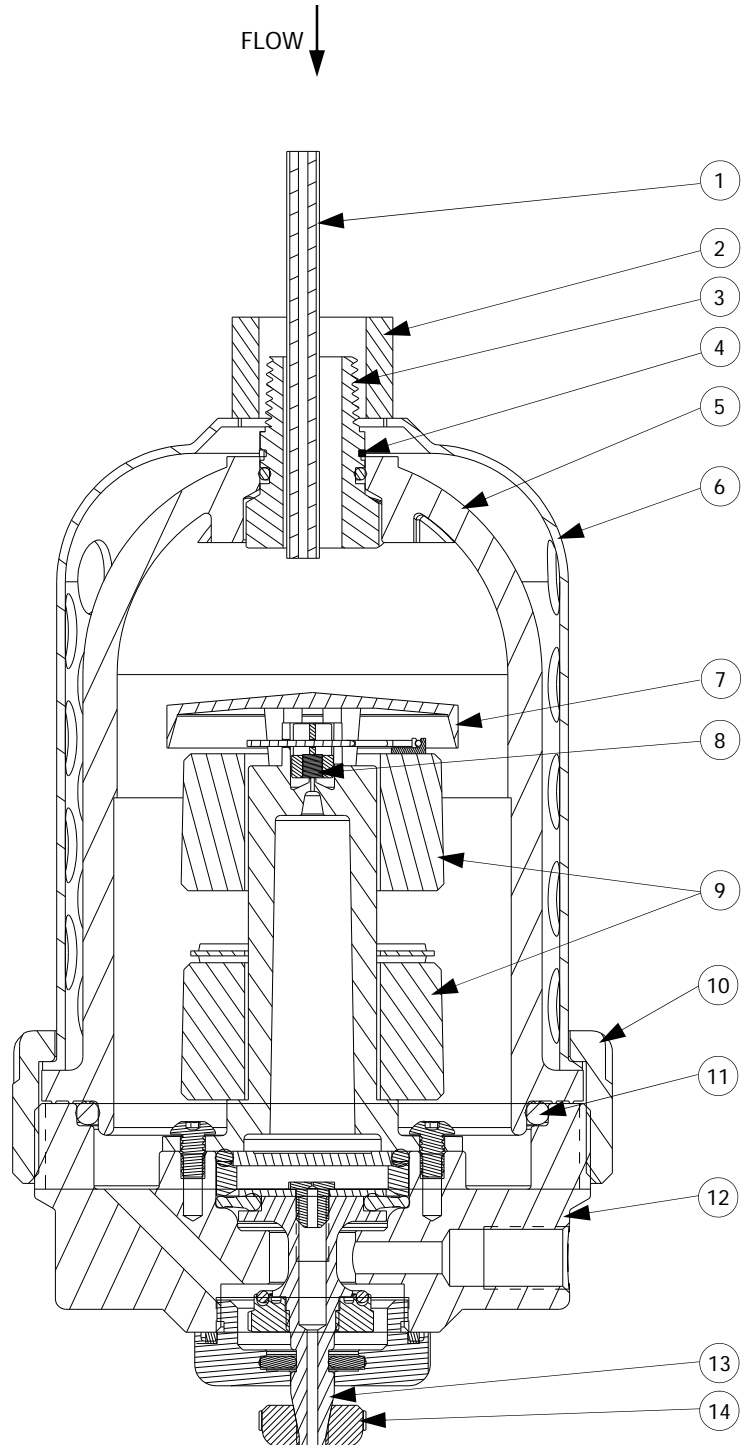
KEY	DESCRIPTION
1	Vent Tube
2	Spacer
3	Adaptor
4	Retaining Clip
5	Plastic Bowl
6	Shatterguard
7	Baffle
8	Seal
9	Float
10	Bowl Ring
11	O-Ring
12	Hydro Body
13	Piston
14	Nut

REPLACEMENT BOWL KIT

DESCRIPTION	PART NUMBER
Metal Bowl Assembly	ABE156-6M
Plastic Bowl Assembly	AE156-6M

NOTE:

1. For Black Anodized Aluminum Hydro Body (#12) use O-ring (#11).
2. For older, obsoleted Brass Hydro Body (#12) use flat Gasket (not shown).





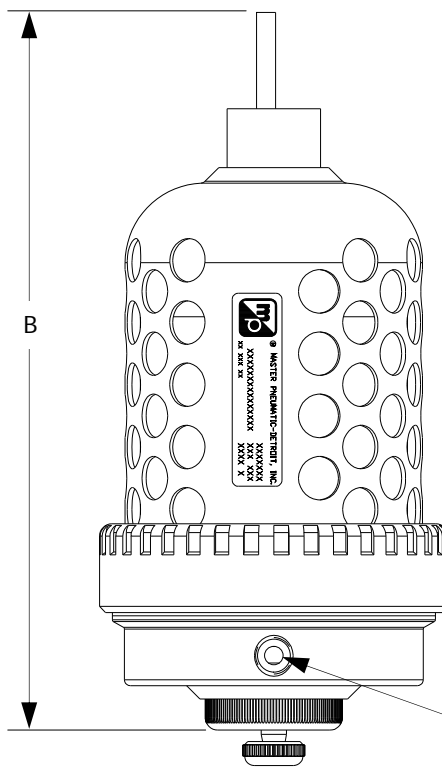
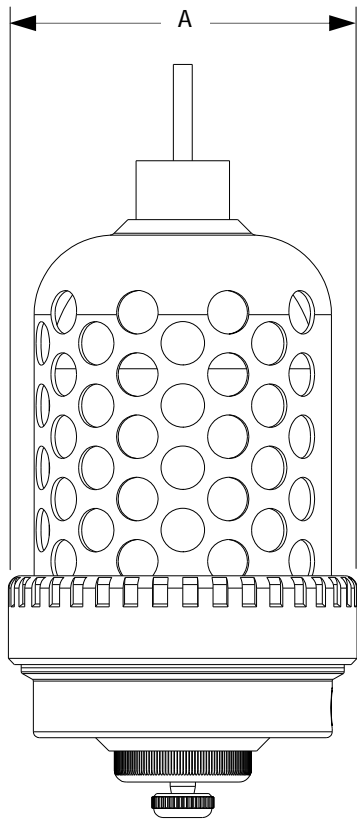
E100 Installation and Maintenance

MASTER PNEUMATIC, INC.

6701 -18 Mile Rd. | Sterling Heights, MI 48314 | Phone: (586) 254-1000 | Fax: (586) 254-6055 | Email: mp@masterpneumatic.com

Dimensional Specifications

KEY	DIMENSION
A	3 1/2 (89 mm)
B	7 3/8 (187 mm)



Drain Outlet Port

