



SV20 Installation and Maintenance

MASTER PNEUMATIC-DETROIT, INC.

6701 - 18 Mile Rd | Sterling Heights, MI 48314 | Phone: (586) 254-1000 | Email: mp@masterpneumatic.com

JM 9-27-02

JM REV: 7-2-20

ECN 5239

	INLET PORT 1A	INLET PORT 1B	OUTLET PORT
SV20-1	1/8-NPTF	1/8-NPTF	1/8-NPTF
SV20-1T	1/8-NPTF	1/8-NPTF	1/8-NPTF
SV20-2	1/4-NPTF	1/4-NPTF	1/4-NPTF
SV20-2T	1/4-NPTF	1/4-NPTF	1/4-NPTF

T Suffix is Teflon ball. No suffix is Nitrile ball

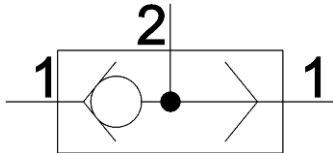
AMBIENT/MEDIA TEMPERATURE:

-40°F TO 175°F (-40°C TO 80°C)

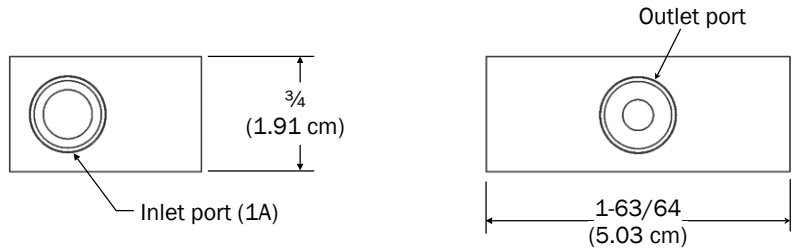
INLET PRESSURE:

5 to 150 PSIG (0.3 to 10 bar) maximum.

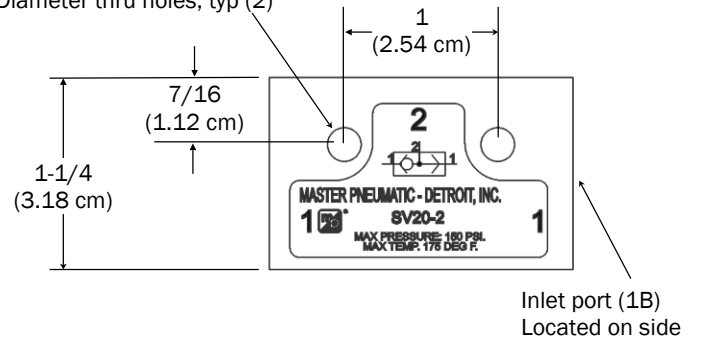
Teflon version is resistant to Xylene and Mek (Methyl Ethyl Ketone)



SHUTTLE VALVE



7/32 Diameter thru holes, typ (2)



Inlet port (1B)
Located on side



SV20 Installation and Maintenance

MASTER PNEUMATIC-DETROIT, INC.

6701 - 18 Mile Rd | Sterling Heights, MI 48314 | Phone: (586) 254-1000 | Email: mp@masterpneumatic.com

JM 9-27-02

JM REV: 7-2-20

ECN 5239

	INLET PORT 1A	INLET PORT 1B	OUTLET PORT
SV20-1	1/8-NPTF	1/8-NPTF	1/8-NPTF
SV20-1T	1/8-NPTF	1/8-NPTF	1/8-NPTF
SV20-2	1/4-NPTF	1/4-NPTF	1/4-NPTF
SV20-2T	1/4-NPTF	1/4-NPTF	1/4-NPTF

T Suffix is Teflon ball. No suffix is Nitrile ball

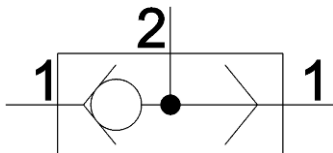
AMBIENT/MEDIA TEMPERATURE:

-40°F TO 175°F (-40°C TO 80°C)

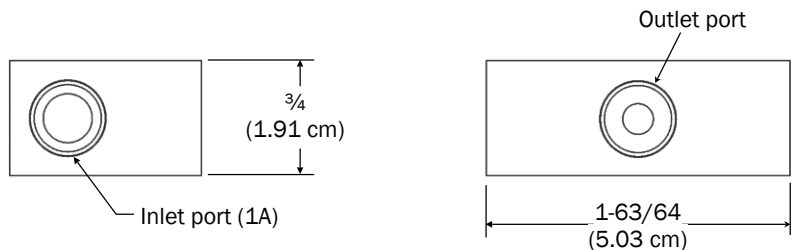
INLET PRESSURE:

5 to 150 PSIG (0.3 to 10 bar) maximum.

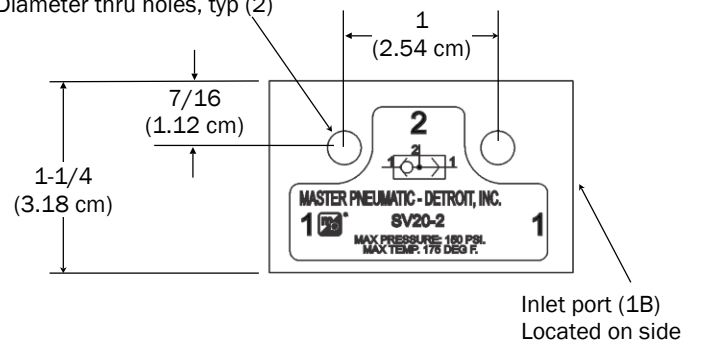
Teflon version is resistant to Xylene and Mek (Methyl Ethyl Ketone)



SHUTTLE VALVE



7/32 Diameter thru holes, typ (2)



Inlet port (1B)
Located on side