

SCORPION

Solenoid or Pneumatic Actuation

Series 800, 830, 850



Model Shown: 8504

- ◆ Servo-Meter injector. 1-Drop capacity; optional 2-drop and 1/2-drop capacities.
- ◆ Up to four injectors and nozzles can be used.
- ◆ Patented blowoff feature.
- ◆ Snaplock® coolant dispensing nozzle. Optional copper nozzles.
- ◆ Braided PVC hose.
- ◆ Magnetic nozzle base.
- ◆ 10-Ounce capacity coolant reservoir.
- ◆ NPTF port threads; optional BSPP threads.

SPECIFICATIONS

Ambient/Media Temperature:

40° to 125°F (4° to 52°C).

Body Blocks:

Anodized aluminum.

Hose:

6-Ft braided PVC; longer or shorter hose optional in 1-foot increments.

Injector:

1-Drop-rated Servo-Meter; 0 to 0.030 ml per pulse. Optional 2-drop-rated Servo-Meter; 0 to 0.060 ml per pulse. Injection frequency up to 100 pulses per minute.

Inlet Port:

1/4 NPTF; optional 1/8 NPTF and BSPP threads.

Inlet Pressure:

60 to 120 psig (4 to 8 bar).

Nozzle:

Snaplock® with 12-inch flexible segmented plastic. Optional 18-inch or 24-inch lengths. Optional copper nozzles.

On/Off Control:

Manual. Optional solenoid control with or without blowoff feature.

Reservoir:

Integral semi-clear polypropylene with 10-ounce (300 ml) capacity. Optional 1-quart and 2-quart capacities. Also no-reservoir option for use with remote reservoir.

Seals:

Air, nitrile; oil, Viton.

Solenoid Voltages:

(With optional solenoid)

110 or 220 volts, 50/60 Hz; 24 volts D.C.

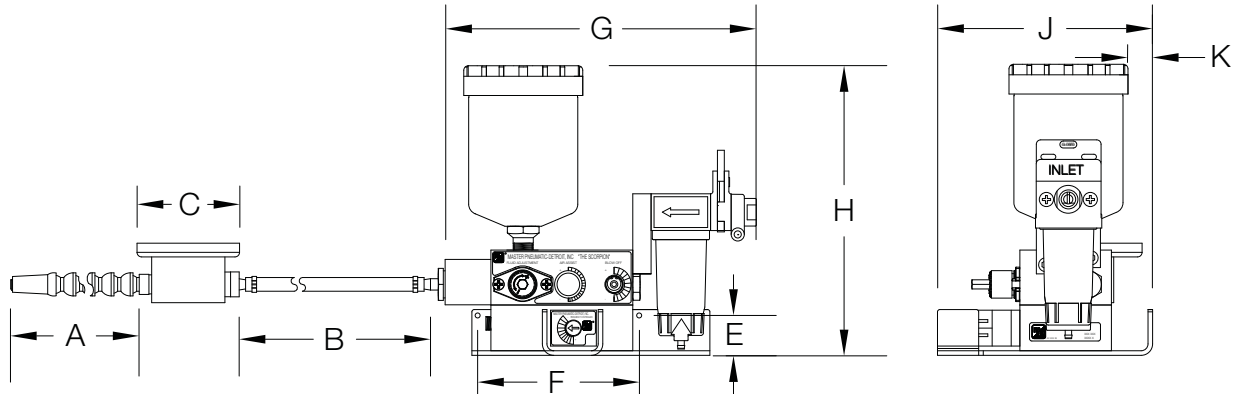
BASIC SYSTEMS

Three basic Scorpion systems are described below. They will satisfy the requirements of most coolant applications, and can be ordered by the 4-digit numbers given in the descriptions. However, to order a system with additional options see Ordering Information on the facing page.

System 8001: Single nozzle with manual on/off control. Can be ordered with 2, 3, or 4 nozzles by changing the last digit to the number of nozzles wanted. For example, a 3-nozzle system would be ordered by number 8003.

System 8301: Single nozzle with solenoid on/off control. 110 volts, 50/60 Hz. Can be ordered with 2, 3, or 4 nozzles by changing the last digit to the number of nozzles wanted. For example, a 4-nozzle system would be ordered by number 8304.

System 8501: Single nozzle with solenoid on/off control with blowoff feature. 110 volts, 50/60 Hz. Can be ordered with 2, 3, or 4 nozzles by changing the last digit to the number of nozzles wanted. For example, a 2-nozzle system would be ordered by number 8502.



DIMENSIONS inches (mm)

Dimension	Manual On/Off	Solenoid On/Off	Solenoid On/Off Plus Blowoff	Add for Each Additional Nozzle Assembly
A	12 (305) Std.	12 (305) Std.	12 (305) Std.	—
B	72 (1829) Std.	72 (1829) Std.	72 (1829) Std.	—
C	2.62 (67)	2.62 (67)	2.62 (66.7)	—
E	0.9 (23)	0.9 (23)	0.9 (23)	—
F	4.4 (112)	4.4 (112)	4.4 (112)	—
G	8.3 (211)	8.3 (211)	8.3 (211)	—
H	7.4 (188)	9.1 (231)	9.1 (231)	1.3 (33)
J	5.9 (150)	5.9 (150)	5.9 (150)	—
K	0.5 (13)	0.5 (13)	0.5 (13)	—

ORDERING INFORMATION

Change the letters in the sample model number below to specify the Scorpion assembly you want.

80 0 A 1 1 0 0 1 T 06 K A 1

ON/OFF ACTUATION

- Manual 80
- Solenoid 83
- Solenoid with blowoff 85

SOLENOID VOLTAGE

- No solenoid (Series 80 only) 0
- 110 volts, 50/60 Hz (Series 83, 85) C
- 220 volts, 50/60 Hz (Series 83, 85) F
- 24 volts, D.C. (Series 83, 85) E

BRACKETS

- With standard bottom bracket only A
- With standard bottom bracket plus extended back bracket D

NUMBER OF NOZZLES

Specify number from 1 to 4.

INJECTOR RATING

- 1 Drop (Standard) 1
- 2 Drops 2
- 1/2 drop 5

RESERVOIR:

- 10-Ounce capacity 0
- No reservoir 1
- 1 Qt with mounting plate 2
- 2 Qt with mounting plate 3

NOZZLE TIP

- Standard conical nozzle 1
- Fantip nozzle 2

PLASTIC NOZZLE LENGTH

- 12 inches (305 mm) A
- 18 inches (457 mm) B
- 24 inches (610 mm) C

NOZZLE TYPE

- Copper H
- Snaplock® K

HOSE LENGTH

- Standard PVC (6 feet) 06
- Specify desired length (in feet) with two digits. For example, 08 for 8 feet, 12 for 12 feet **

INLET PORT with SENTRY FILTER

- 1/8 NPTF 1
- 1/4 NPTF 2
- 1/8 BSPP A
- 1/4 BSPP B

NOZZLE BASE ("C" in drawing above)

- Magnetic 0
- No base 1

SCORPION Jr. Pneumatic Actuation

Series 890



Model Shown: 8901

- ◆ Operated by pneumatic pulse.
- ◆ Up to four injectors and nozzles can be used.
- ◆ Servo-Meter injector. 1-Drop capacity; optional 2-drop and 1/2-drop capacities.
- ◆ Snaplock® coolant dispensing nozzle. Optional copper nozzles.
- ◆ Optional magnetic nozzle base.
- ◆ Optional 10-ounce capacity coolant reservoir.
- ◆ NPTF port threads; optional BSPP threads.

SPECIFICATIONS

Ambient/Media Temperature:

40° to 125°F (4° to 52°C).

Body Blocks: Anodized aluminum.

Hose: Optional 6 feet long braided PVC. Longer or shorter hose in 1-foot increments.

Injector: 1-Drop-rated Servo-Meter; 0 to 0.030 ml per pulse. Optional 2-drop-rated Servo-Meter; 0 to 0.060 ml per pulse. Up to four injectors can be used. Injection frequency up to 100 pulses per minute.

Inlet Port:

1/8 NPTF; optional 1/4 NPTF. Optional BSPP threads.

Inlet Pressure: 60 to 120 psig (4 to 8 bar).

Nozzle: Snaplock® with 12-inch flexible segmented plastic. Optional 18-inch or 24-inch lengths. Optional copper nozzles and fan tips.

On/Off Control: Manual.

Reservoir: Optional integral clear plastic with 10-ounce (300 ml) capacity.

Seals: Air, nitrile; oil, Viton.

BASIC SYSTEMS

Four basic Scorpion Jr. systems are described below. They will satisfy the requirements of many coolant applications, and can simply be ordered by the 4-digit model numbers given in the descriptions. However, to order a system with additional options see Ordering Information on the facing page.

Model 8901: One-injector system.

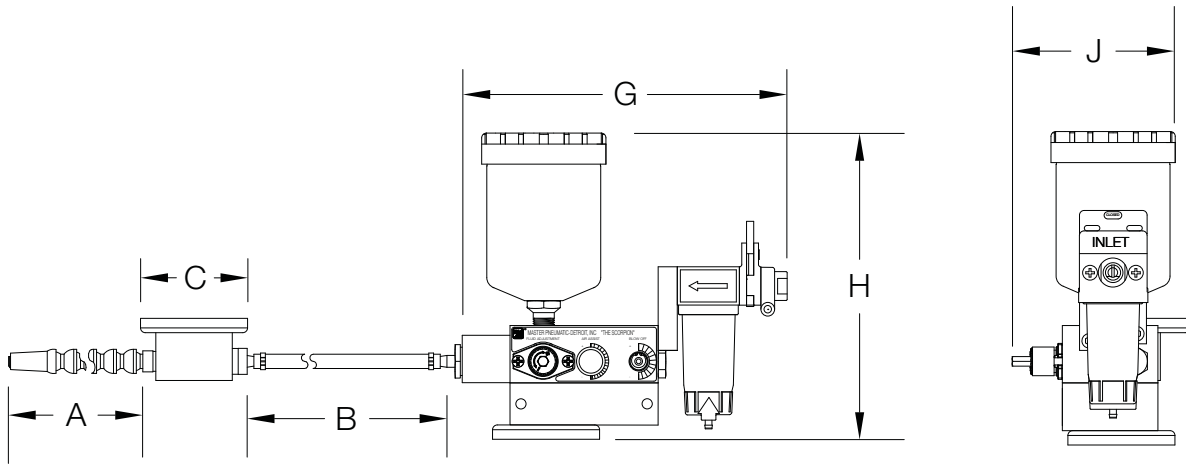
Model 8902: Two-injector system.

Model 8903: Three-injector system.

Model 8904: Four-injector system

Each of the above includes:

- 1/8 NPTF inlet port
- One-drop injectors
- 12-Inch Snaplock® nozzle
- No filter



DIMENSIONS inches (mm)

Dimension		Add for Each Additional Nozzle Assembly
A	12 (305) Std.	—
B	72 (1830) Std.	—
C	2.6 (66)	—
G	5.3 (135)	—
H	7.2 (183)	1.3 (33)
J	4.3 (109)	—

ORDERING INFORMATION

Change the letters in the sample model number below to specify the Scorpion Jr. assembly you want.

8900 1 1 0 0 1 A 00 K B 1

NUMBER OF INJECTORS/NOZZLES

Specify number from 1 to 4.

INJECTOR RATING

- 1 Drop (standard)..... 1
- 2 Drops 2
- 1/2 Drop..... 5

RESERVOIR

- 10-Ounce capacity 0
- None 1
- 10-Ounce capacity (no coolant) 4

MOUNTING BLOCK BASE (See C in dimensional drawing above.)

- Magnetic 0
- No base 1

INLET PORT and FILTER

- 1/8 NPTF (with Sentry filter) 1
- 1/4 NPTF (with Sentry filter) 2
- 1/8 NPTF (without filter) 0
- 1/8 BSPP (with Sentry filter)..... A
- 1/4 BSPP (with Sentry filter)..... B
- 1/8 BSPP (without filter)..... C
- 1/4 BSPP (without filter)..... D

NOZZLE

- Standard conical tip..... 1
- Fan tip 2

NOZZLE LENGTH

- 12 inches (305 mm)..... A
- 18 inches (457 mm)..... B
- 24 inches (610 mm)..... C
- 36 inches (914 mm)..... D

NOZZLE TYPE

- Copper H
- Snaplock® K

HOSE LENGTH

- None 00
- 6 Feet (1.8 m) with base C in dimensional drawing above..... 06
- Specify desired length (in feet) with two digits. For example, 08 for 8 feet, 12 for 12 feet **

HOSE TYPE

- None A
- Braided PVC hose T